



PARTS LIST

MARINE DIESEL GENERATORS

11.0 BTDB - 60Hz

8.8 BTDB - 50Hz

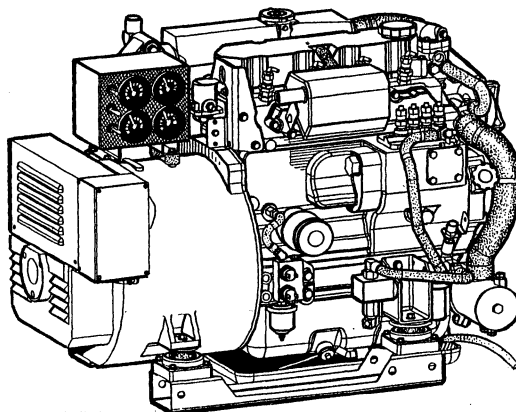
11.5 BTDB - 60Hz

9.2 BTDB - 50Hz

12.6 BTDB - 60Hz

10.4 BTDB - 50Hz

with ELECTRONIC GOVERNING



PUBLICATION NO. 056053
REVISION 0
MARCH 2015



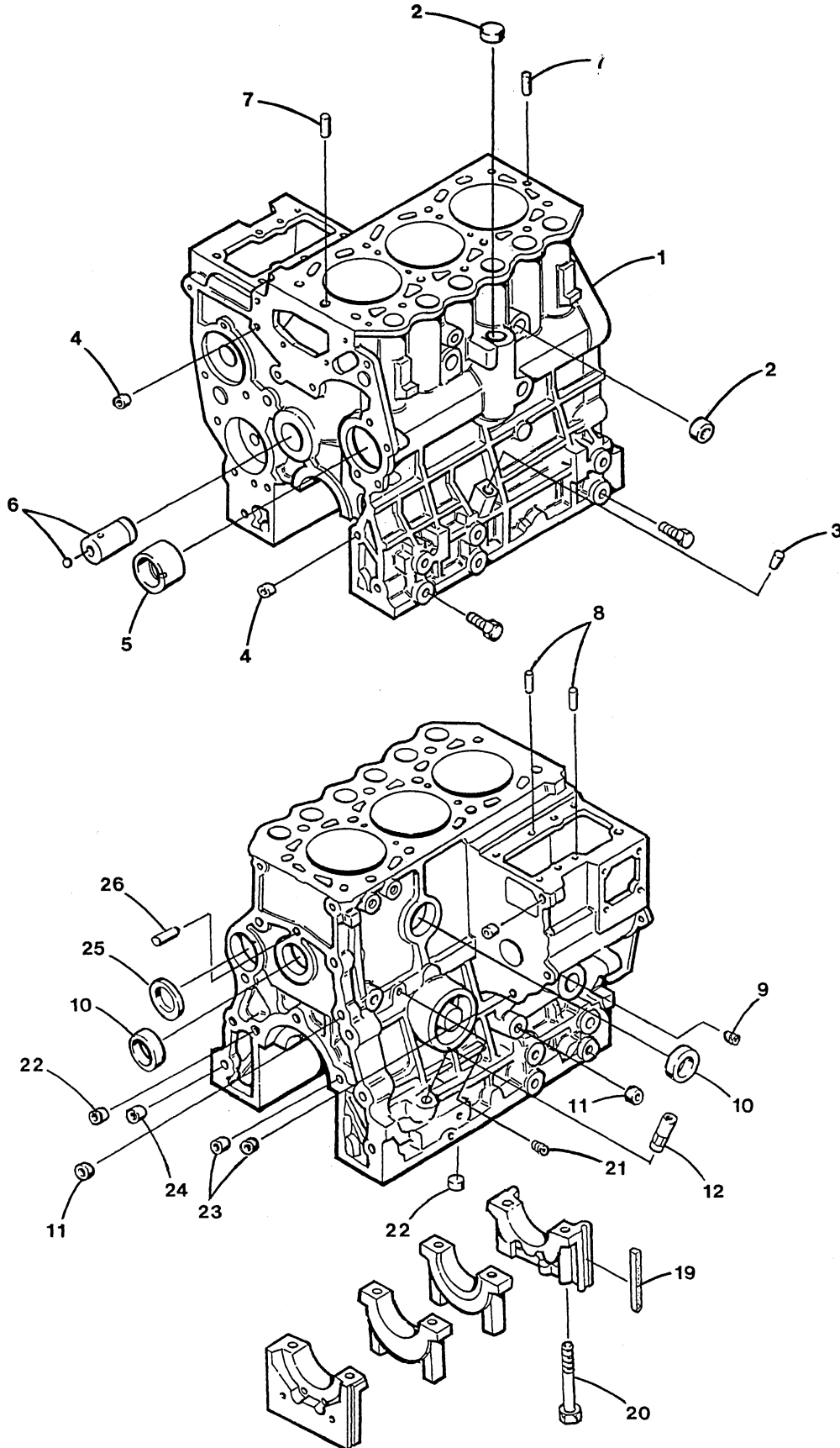
WESTERBEKE CORPORATION • MYLES STANDISH INDUSTRIAL PARK
150 JOHN HANCOCK ROAD, TAUNTON, MA 02780-7319 U.S.A.
TEL: (508) 823-7677 • FAX: (508) 884-9688 • Website: www.westerbeke.com

TABLE OF CONTENTS

THE MODELS IN THIS PARTS LIST ALL USE THE SAME 3 CYLINDER DRIVE ENGINE. THE DIFFERENCE IN THE KW RATINGS ARE THE RESULT OF EMISSIONS RELATED CHANGES TOO THE DRIVE ENGINE. THESE CHANGES ALTER THE ENGINES HORSEPOWER WHICH CHANGES THE AC GENERATORS KW OUTPUT.

CYLINDER BLOCK & CRANKCASE	2	RAW WATER PUMP / PARTS LIST	32
PARTS LIST	3	RAW WATER PUMP / PARTS LIST (EARLIER MODELS)	33
CYLINDER HEAD / PARTS LIST	4	CIRCUIT BREAKER	34
ROCKER COVER / PARTS LIST	5	PARTS LIST	35
VALVE MECHANISM	6	ELECTRICAL SYSTEM	36
PARTS LIST	7	PARTS LIST	37
CRANKCASE / PARTS LIST	8	ELECTRICAL SYSTEM / PARTS LIST	38
TIMING GEAR / PARTS LIST	9	STOP - START PANELS / PARTS LIST	39
PISTONS & CRANKSHAFT	10	CONTROL PANEL - ELECTRIC GOVERNOR	40
PARTS LIST	11	PARTS LIST	41
INLET MANIFOLD & AIR INTAKE SILENCER		CONTROL PANEL - ELECTRIC GOVERNOR	
PARTS LIST	12	PARTS LIST	42
OIL PUMP / PARTS LIST	13	RECOVERY COOLANT TANK, EXHAUST ELBOWS	
OIL SYSTEM	14	PARTS LIST	43
PARTS LIST	15	GENERATOR BACK END	44
OIL MANIFOLD, OIL FILTER	16	PARTS LIST	45
PARTS LIST	17	GENERATOR BACK END / PARTS LIST	46
EXHAUST MANIFOLD, HEAT EXCHANGER	18	AC OUTPUT & REGULATOR, THREE PHASE	
PARTS LIST	19	PARTS LIST	47
THERMOSTAT & FRESH WATER PUMP	20	AC OUTPUT & REGULATOR, SINGLE PHASE	
PARTS LIST	21	PARTS LIST	48
GOVERNOR ASSEMBLY	22	SST SOUND GUARD / PARTS LIST	49
PARTS LIST	23	SOUND GUARD / PARTS LIST	50
FUEL SYSTEM & NOZZLE ASSEMBLY / PARTS LIST	26	REMOTE LUBE OIL / PARTS LIST	51
FUEL LIFT PUMP & FUEL FILTER / PARTS LIST	27	MISCELLANEOUS & OPTIONS / PARTS LIST	52
ALTERNATORS	28		
PARTS LIST	29		
BELT GUARD / PARTS LIST	30		
MOUNTING ASSEMBLY / PARTS LIST	31		

CYLINDER BLOCK & CRANKCASE ASSEMBLY

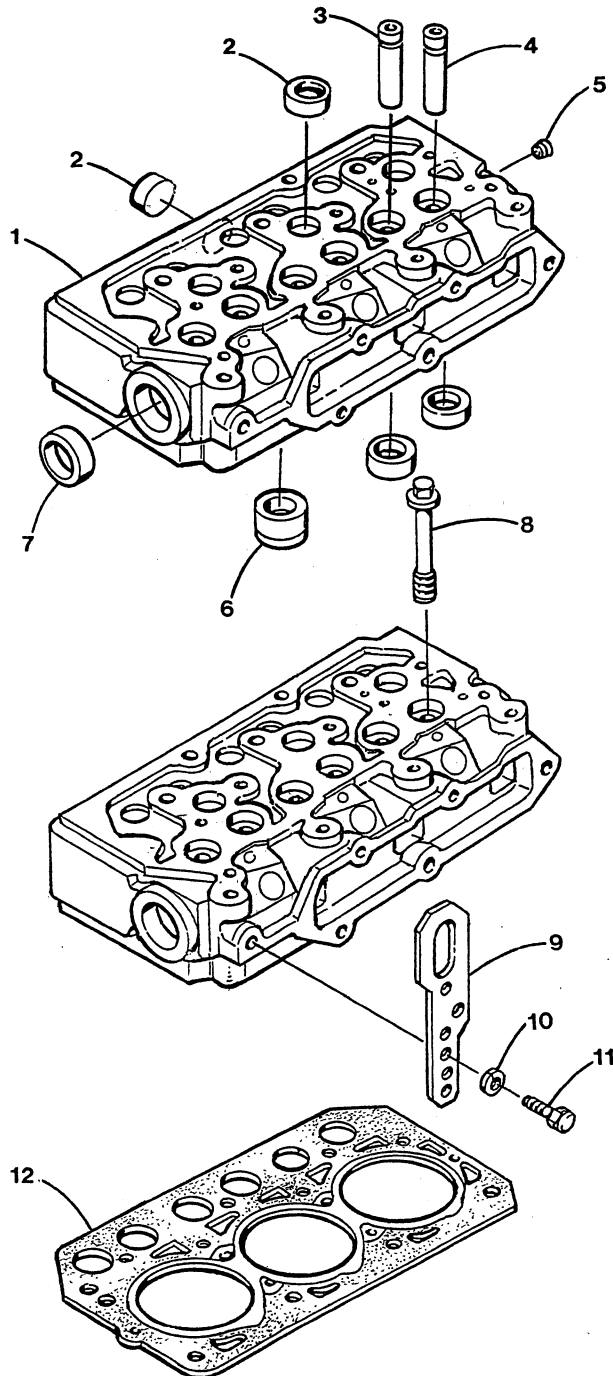


CYLINDER BLOCK & CRANKCASE ASSEMBLY

Reference #	Part #	Part Name	Remarks	Quantity
1	054200	ENGINE	BLOCK ASSEMBLY	1
2	037653	PLUG	EXPANSION 22MM DIN 443	4
3	045396	PLUG	TAPER	1
4	030707	DOWEL	TUBULAR 8 X 13	2
5	045193	BUSHING	CAMSHAFT	1
6	045213	SHAFT	IDLER GEAR	1
7	045394	DOWEL		2
8	036943	DOWEL		2
9	030711	PLUG	1/8 BSPT	1
10	024349	PLUG	EXPANSION 35MM DIN 443	2
11	045397	PLUG	EXPANSION 14MM DIN 443	3
12	046909	TUBE	DIPSTICK	1
19	045197	SEAL	SIDE	4
20	045191	BOLT	MAIN BEARING CAP	8
21	030711	PLUG	1/8 BSPT	1
22	033625	PLUG	EXPANSION 12MM DIN 443	1
23	030706	DOWEL	TUBULAR	4
24	030709	DOWEL	TUBULAR	1
25	030286	PLUG	EXPANSION 40MM DIN 470	1
26	030272	DOWEL		1

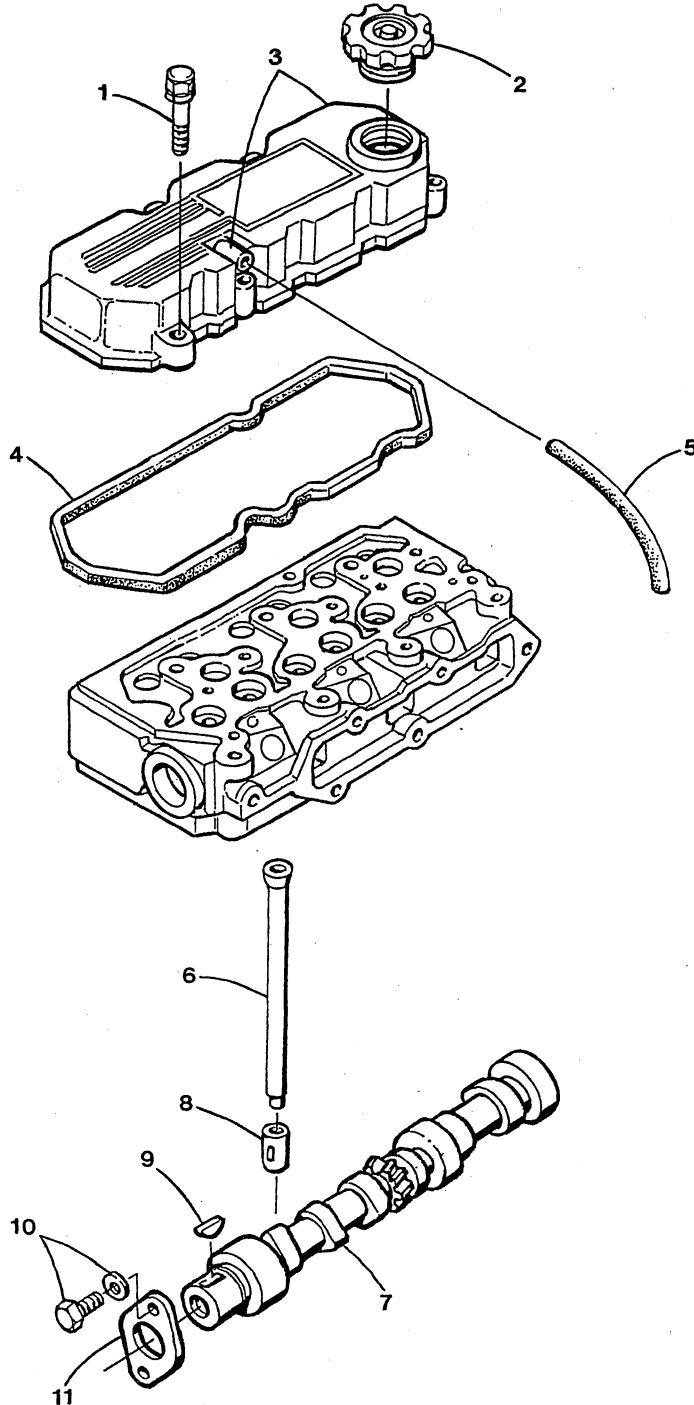
CYLINDER HEAD

Reference #	Part #	Part Name	Remarks	Quantity
1	048096	HEAD	CYLINDER	1
2	024373	PLUG	EXPANSION 25MM	5
3	045173	GUIDE	VALVE EXHAUST	3
4	048091	GUIDE	VALVE INTAKE	3
5	030711	PLUG	1/8 BSPT	1
6	047127	INSERT	COMBUSTION	3
7	024349	PLUG	EXPANSION 35MM DIN 443	1
8	045175	BOLT	CYLINDER HEAD	11
9	030131	EYE	LIFTING	2
10	019262	LOCKWASHER	M10 DIN 127	4
11	024951	CAPSCREW	M10 X 1.25 X 20 DIN 961	4
12	046914	GASKET	CYLINDER HEAD	1

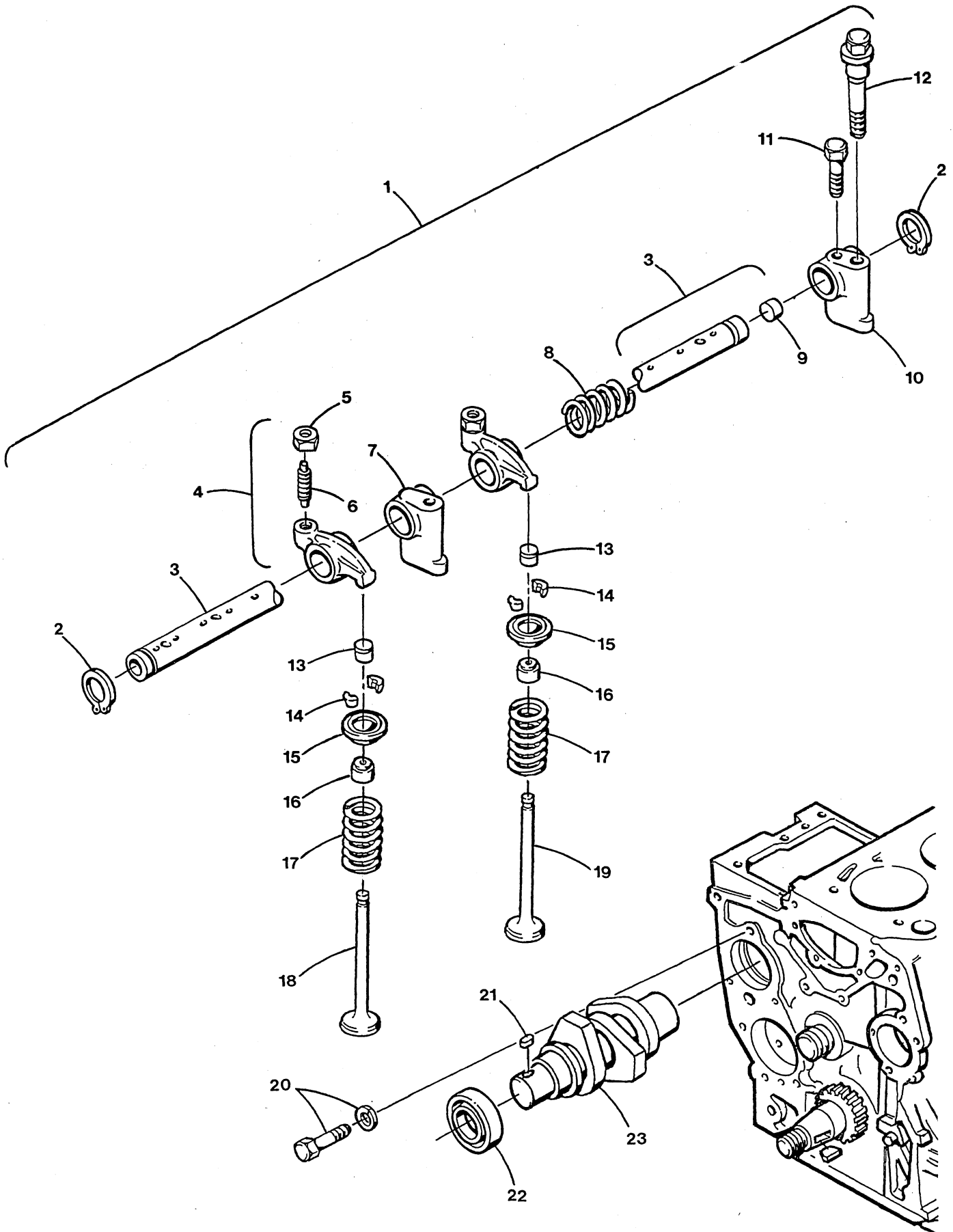


ROCKER COVER & CAMSHAFT

Reference #	Part #	Part Name	Remarks	Quantity
1	035796	CAPSCREW	M8 X 40 JIS 6 W/LW	4
2	030237	CAP	OIL FILL TOP	1
3	048099	COVER	ROCKER	1
4	046915	GASKET	ROCKER COVER	1
5	036045	HOSE	BREATHER - INCHES REQUIRED	6
6	045190	PUSHROD		6
7	048100	CAMSHAFT		1
8	030361	TAPPET		6
9	030275	KEY	WOODRUFF	1
10	035792	CAPSCREW	M8 X 16 JIS 6 W/LW	2
11	034265	PLATE	CAMSHAFT THRUST	1



VALVE MECHANISM

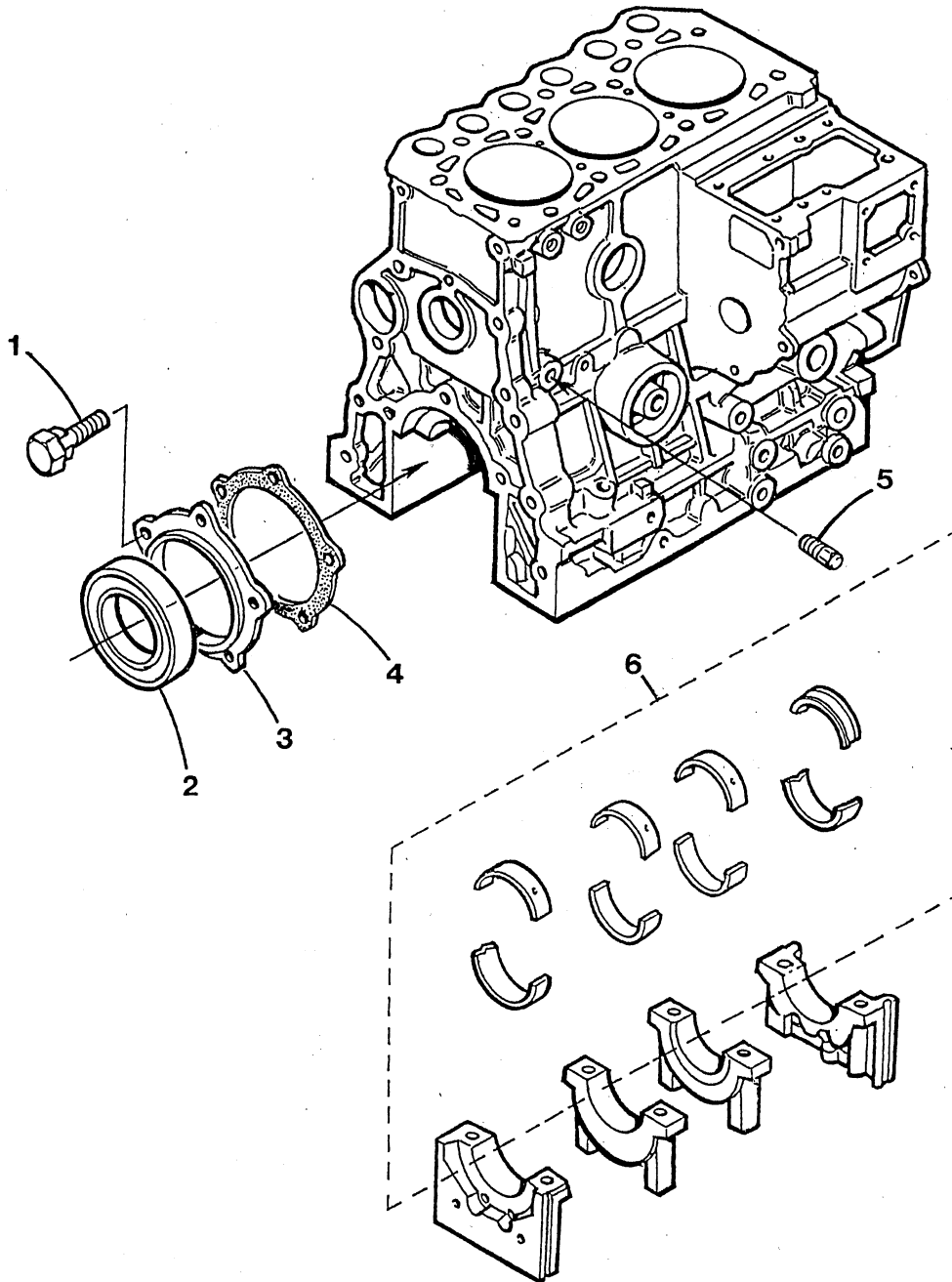


VALVE MECHANISM

Reference #	Part #	Part Name	Remarks	Quantity
1	048097	SHAFT	ROCKER ASSY	1
2	030279	RING	RETAINING	2
3	048098	SHAFT	ROCKER	1
4	045183	ROCKER		6
5	031802	NUT	M8 DIN 936 JAM	6
6	045270	SCREW	ROCKER ADJUSTING	6
7	045277	BRACKET	ROCKER SHAFT	2
8	045273	SPRING	ROCKER SHAFT	2
9	045170	PLUG	EXPANSION	1
10	045188	BRACKET	ROCKER	1
11	039336	CAPSCREW	M5 X 12 DIN 933	1
12	045274	BOLT	ROCKER BRACKET	3
13	045181	CAP	VALVE	6
14	030241	COLLET	VALVE	12
15	033149	SEAT	VALVE SPRING	6
16	030242	SEAL	VALVE STEM	6
17	045182	SPRING	VALVE	6
18	048093	VALVE	EXHAUST	3
19	048092	VALVE	INTAKE	3
20	035792	CAPSCREW	M8 X 16 JIS 6 W/LW	1
21	030273	KEY	5 X 12	1
22	030434	BEARING	BALL	1
23	048114	CAMSHAFT	INJECTION PUMP	1

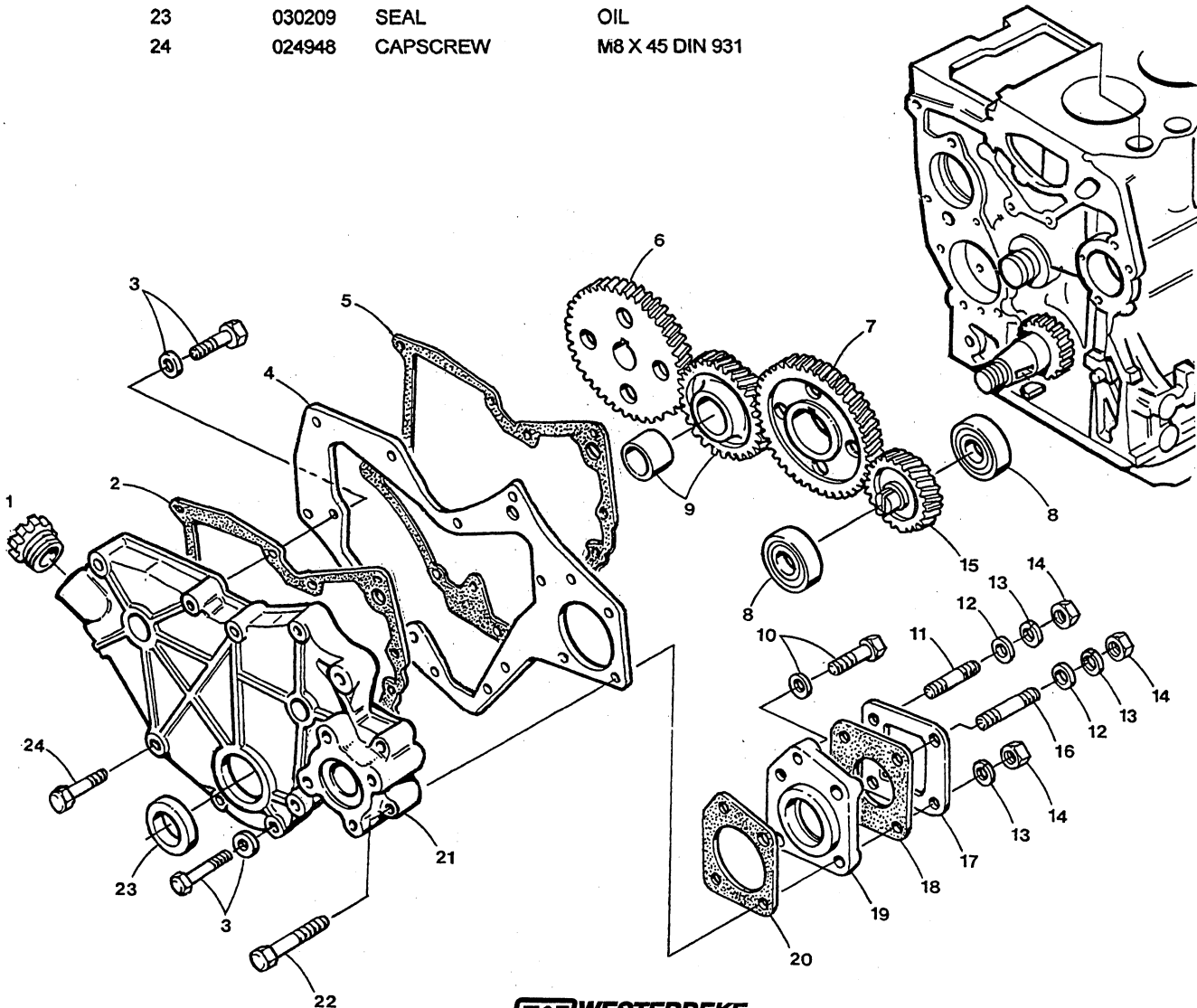
CRANKCASE

Reference #	Part #	Part Name	Remarks	Quantity
1	017196	CAPSCREW	M8 X 20 DIN 933	5
2	030395	SEAL	OIL (rear)	1
3	045194	FLANGE	REAR OIL SEAL	1
4	045195	GASKET	OIL SEAL FLANGE	1
5	045395	PLUG	1/4 BSPT HEX HEAD - BLOCK DRAIN	1
6-1	030479	BEARING	SET- MAIN - STD	1
6-2	030480	BEARING	SET- MAIN - 0.25	1
6-3	030481	BEARING	SET- MAIN - 0.50	1
6-4	030482	BEARING	SET- MAIN - 0.75	1

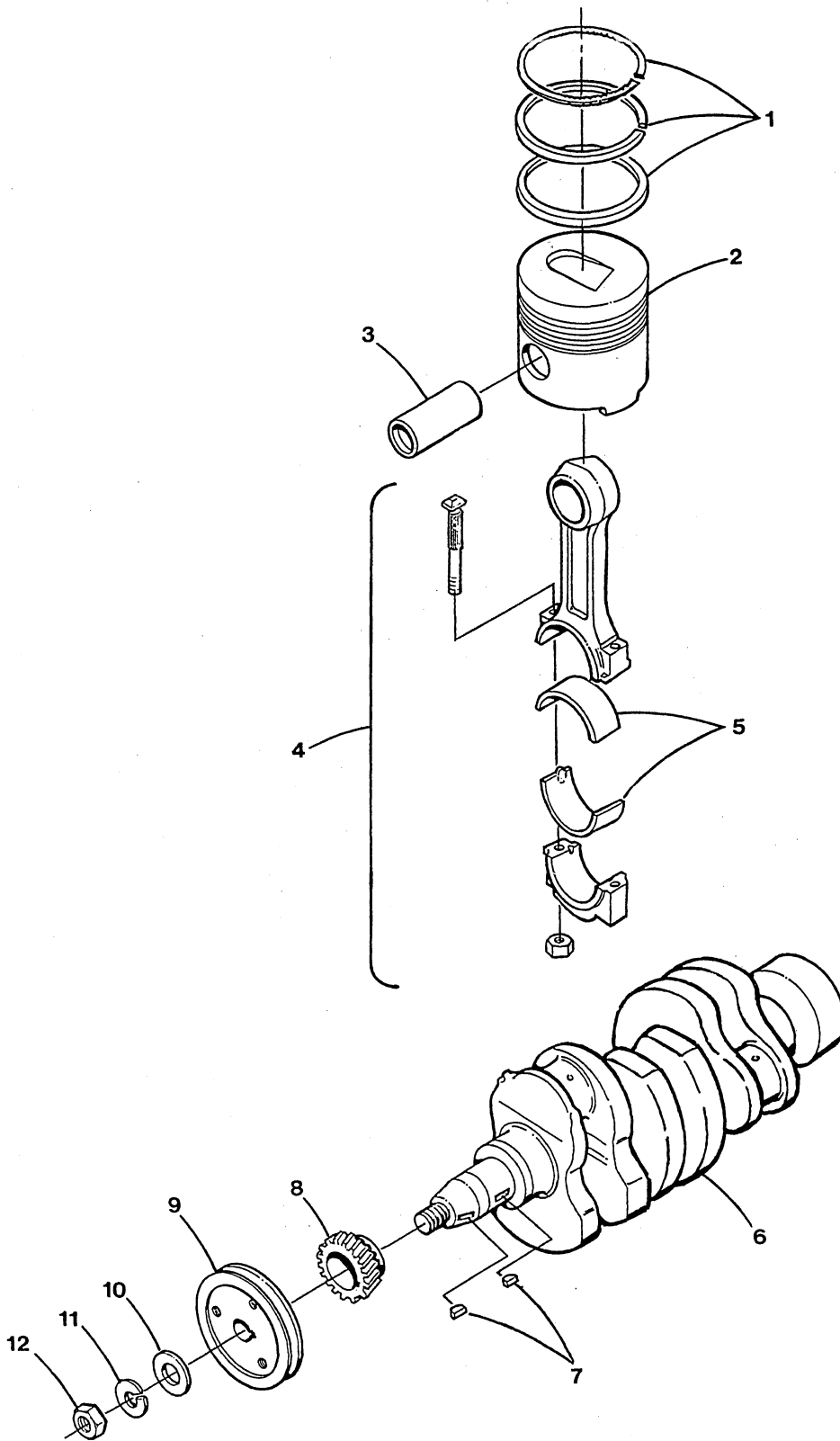


TIMING GEAR CASE ASSEMBLY

Reference #	Part #	Part Name	Remarks	Quantity
1	041487	CAP	OIL FILLER - PUSH IN	1
2	045202	GASKET	TIMING CASE TO PLATE	1
3	035792	CAPSCREW	M8 X 16 JIS 6 W/LW	9
4	045198	PLATE	FRONT	1
5	045196	GASKET	FRONT PLATE	1
6	045214	GEAR	INJECTION PUMP DRIVE	1
7	045217	GEAR	CAMSHAFT	1
8	030198	BEARING	BALL	2
9	045215	GEAR	IDLER WITH BUSHING	1
10	035794	CAPSCREW	M8 X 30 JIS 6 W/LW	1
11	015828	STUD	M8 X 22 DIN 939	1
12	031787	WASHER	M8 DIN 125	4
13	031786	LOCKWASHER	M8 DIN 127	4
14	018242	NUT	M8 DIN 934	4
15	045218	GEAR	OIL PUMP DRIVE	1
16	031281	STUD	M8 X 40 DIN 939	1
17	030203	COVER	OIL PUMP	1
18	030326	GASKET	OIL PUMP COVER	1
19	045199	HOUSING	BEARING-OIL PUMP GEAR	1
20	045200	GASKET	BEARING HOUSING	1
21	045201	CASE	TIMING	1
22	299981	CAPSCREW	M8 X 70 JIS	2
23	030209	SEAL	OIL	
24	024948	CAPSCREW	M8 X 45 DIN 931	



PISTONS & CRANKSHAFT



PISTONS & CRANKSHAFT

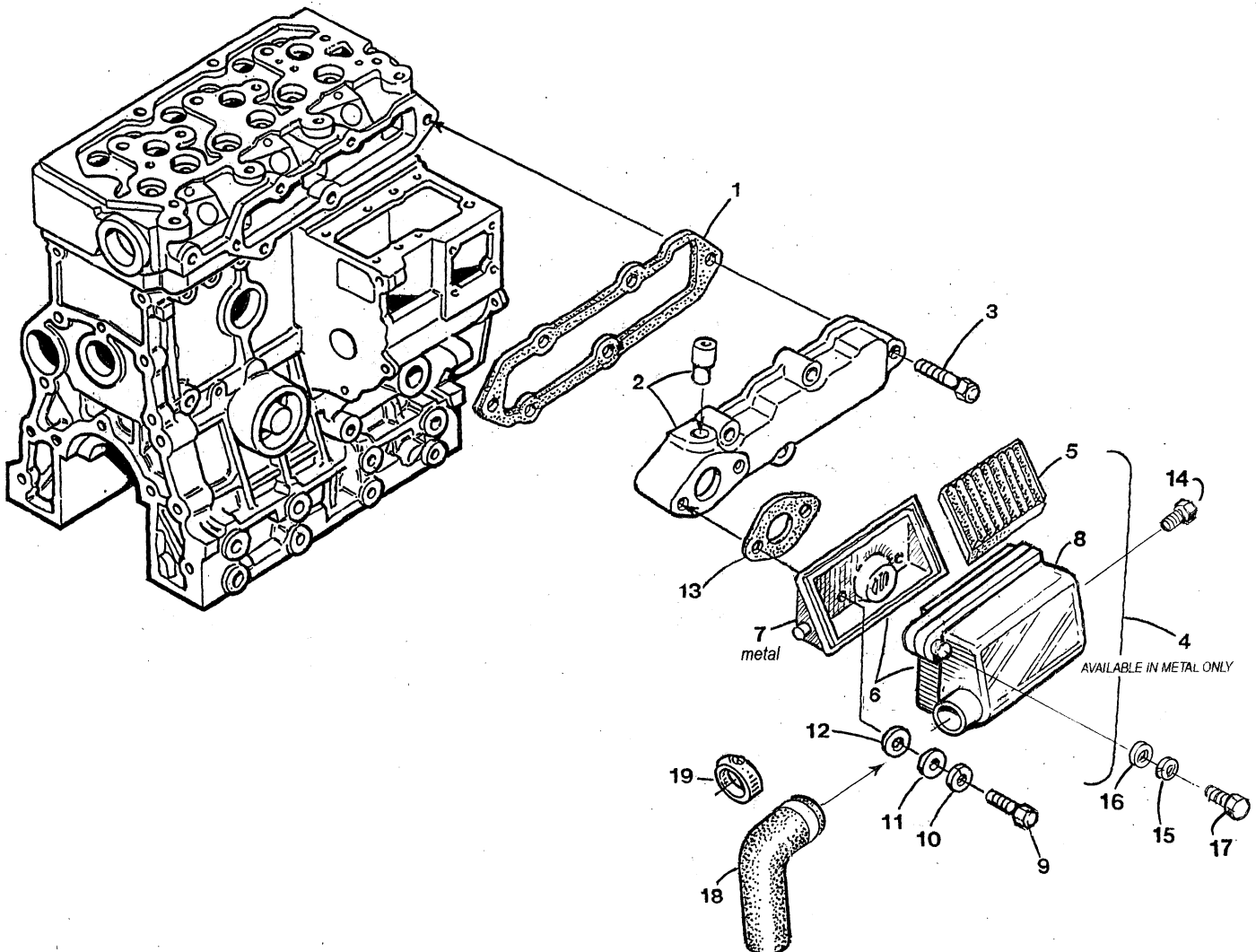
Reference #	Part #	Part Name	Remarks	Quantity
1-1	037667	RING SET	STD	3
1-2	037668	RING SET	0.25	3
1-3	037669	RING SET	0.50	3
1-4	055711	RING SET	STD - USE WITH 055714	3
1-5	055712	RING SET	0.25 - USE WITH 055715	3
1-6	055713	RING SET	0.50 - USE WITH 055716	3
2-1	047131	PISTON	STD - GENSET TO E802	3
2-2	047132	PISTON	0.25 - GENSET TO E802	3
2-3	047133	PISTON	0.50 - GENSET TO E802	3
2-4	055714	PISTON	STD - FROM E803	3
2-5	055715	PISTON	0.25 - FROM E803	3
2-6	055716	PISTON	0.50 - FROM E803	3
3	045210	PIN	PISTON	3
4	048102	ROD	CONNECTING	3
5-1	047012	BEARING SET	ROD - STD	3
5-2	045167	BEARING SET	ROD - 0.25	3
5-3	045168	BEARING SET	ROD - 0.50	3
5-4	045169	BEARING SET	ROD - 0.75	3
6	048103	CRANKSHAFT		1
7	030275	KEY	WOODRUFF	2
8	045216	GEAR	CRANKSHAFT	1
9	048104	PULLEY	CRANKSHAFT	1
10	032175	WASHER	FLAT M18	1
11	032176	LOCKWASHER	M18	1
12	032172	NUT	M18	1

NOTE: When replacing piston(s), reference 1-1, 1-2 or 1-3 the new pistons 2-4, 2-5 or 2-6 must be used for all the cylinders along with the ring set 1-4, 1-5 or 1-6 as applicable.

NOTE: When replacing pistons refer also to Parts Bulletin #2013-2.

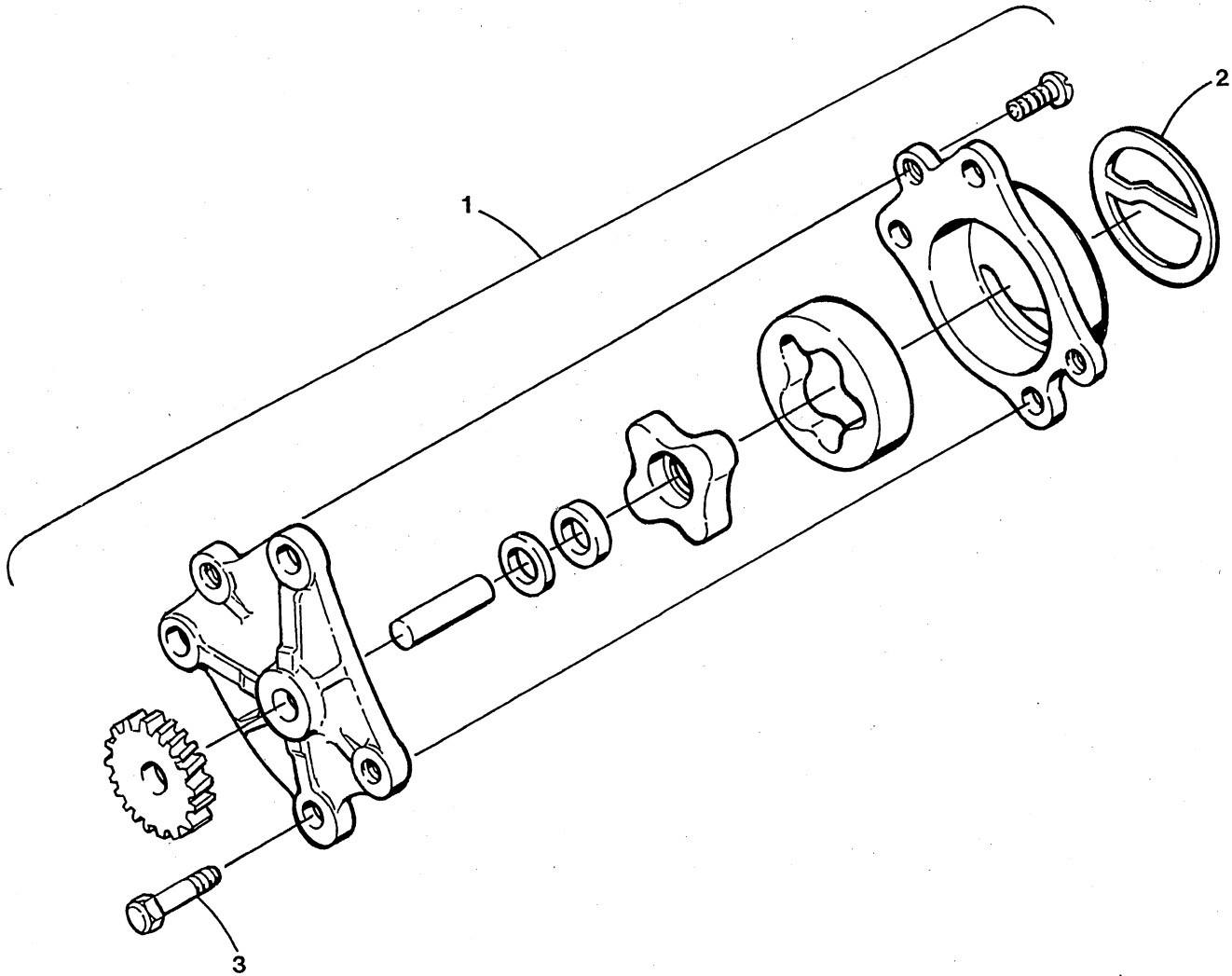
INLET MANIFOLD & AIR INTAKE SILENCER

Reference #	Part #	Part Name	Remarks	Quantity
1	046916	GASKET	INTAKE MANIFOLD	1
2	048105	MANIFOLD	INTAKE	1
3	035895	CAPSCREW	M 8 X 35 JIS 6 W/LW	5
4	043823	HOUSING (PLASTIC)	AIR INTAKE/FILTER - INCL. REF #S 5 & 6 <i>not available</i>	5
5	039705	FILTER	AIR	1
6	044723	HOUSING (PLASTIC)	AIR INTAKE - 2 PIECES (REPLACED BY KIT 053815)	1
7	053384	HOUSING	BASE (METAL) <i>not available</i>	1
8	053385	HOUSING	COVER (METAL)	1
9	017196	CAPSCREW	M8 X 20 DIN 933	1
9-1	031225	CAPSCREW	M8 X 60 DIN 931	1
10	031786	LOCKWASHER	M8 DIN 127	2
11	0317871	WASHER	M8 DIN 125	2
12	043882	WASHER	SILENCER ANTI-CRUSH	2
13	044324	GASKET	AIR FILTER TO MANIFOLD	1
14	019369	PLUG 1/8 NPT	HEX HEAD BRASS	1
15	031783	LOCKWASHER	M6 DIN 127	2
16	031784	WASHER	M6 DIN 125	2
17	053045	RETAINER	M6 THREADED STUD	2
18	054374	HOSE	90° FORMED	1
19	038193	HOSE CLAMP		1

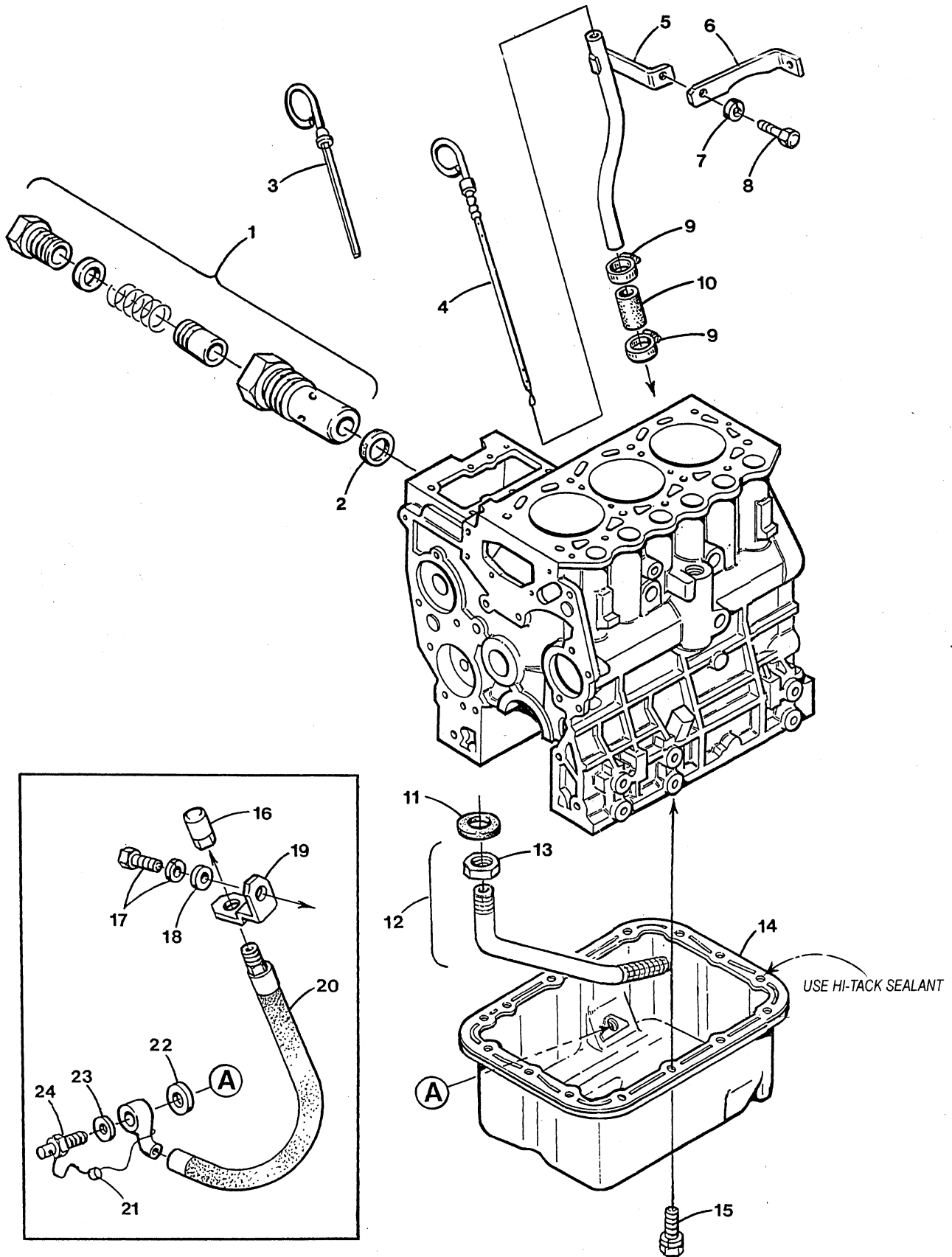


OIL PUMP

Reference #	Part #	Part Name	Remarks	Quantity
1	045224	PUMP	OIL	1
2	045223	GASKET	OIL PUMP	1
3	299527	CAPSCREW	M8 X 22 JIS	3



OIL SYSTEM

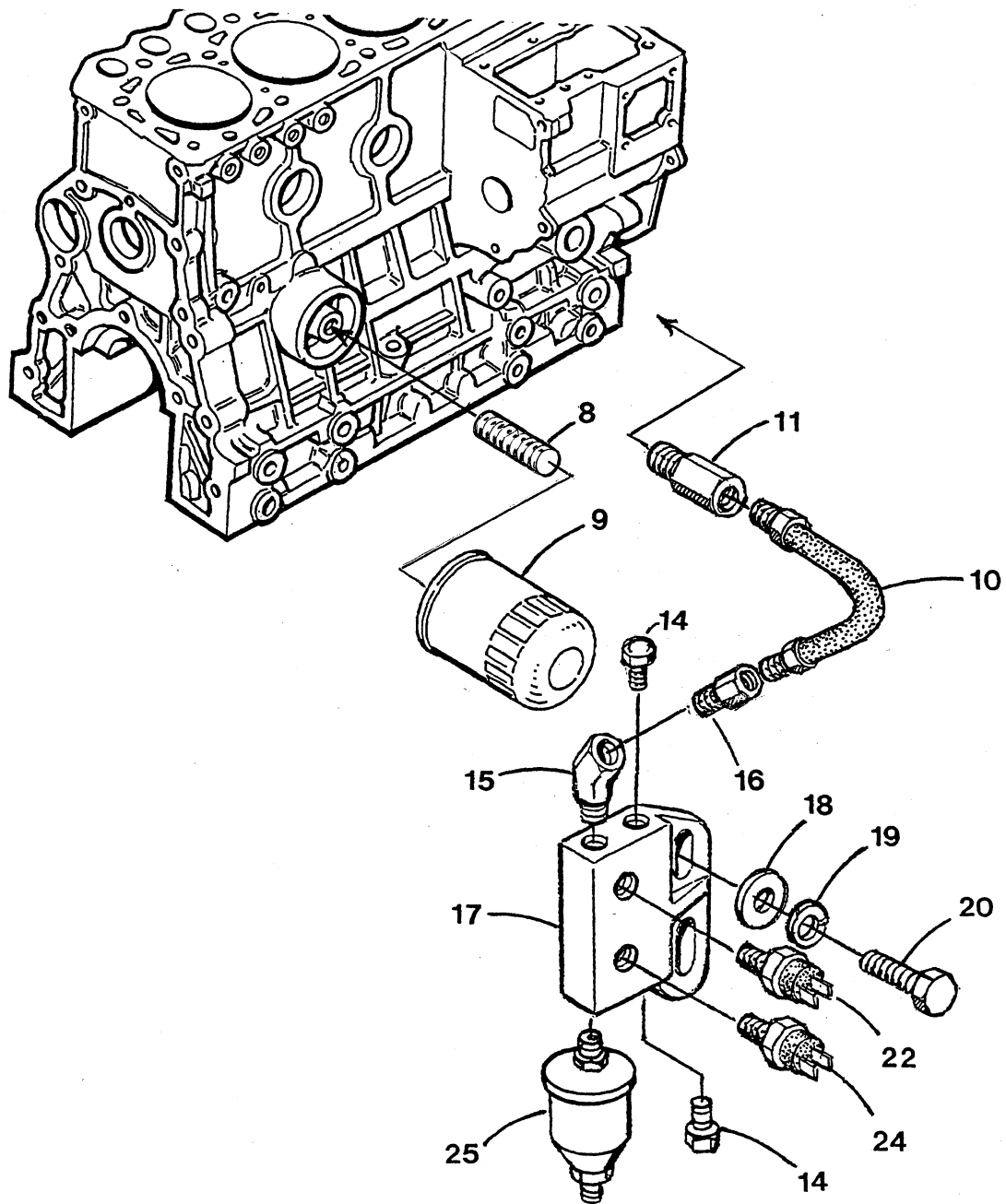


OIL SYSTEM

Reference #	Part #	Part Name	Remarks	Quantity
1	045225	VALVE	OIL RELIEF	1
2	046908	GASKET	OIL RELIEF VALVE	1
3	045230	DIPSTICK		1
4	044066	DIPSTICK	OPTIONAL - EXTENDED	1
5	043762	TUBE	DIPSTICK OPTIONAL EXTEND	1
6	044074	BRACKET	SUPPORT LIFT PUMP/FILTER	1
7	019262	LOCKWASHER	M10 DIN 127	1
8	024952	CAPSCREW	M10 X 1.25 X 25 DIN 961	1
9	024906	CLAMP	HOSE 04 MINI	2
10	036045	HOSE	INCHES REQUIRED	2
11	033280	WASHER	OIL PICKUP	1
12	048094	STRAINER	OIL PICKUP	1
13	040966	NUT	JAM M16, SELF-LOCKING	1
14	048101	SUMP	OIL	1
15	035792	CAPSCREW	M8 X 16 JIS 6 W/LW	15
16	024905	CAP	1/4 NPT BRASS	1
17	035792	CAPSCREW	M8 X 16 JIS 6 W/LW	1
18	031787	WASHER	M8 DIN 125	1
19	024922	BRACKET	SUMP DRAIN HOSE	1
20	043904	HOSE	SUMP DRAIN	1
21	037393	SEAL	LEAD WIRE	1
22	030291	WASHER	BANJO M14	1
23	036493	WASHER	BANJO	1
24	036821	BOLT	BANJO-SUMP DRAIN HOSE (mi4x1.5 pitch)	1

OIL SUMP (#14) DOES NOT HAVE A GASKET, USE HI-TACK SEALANT.

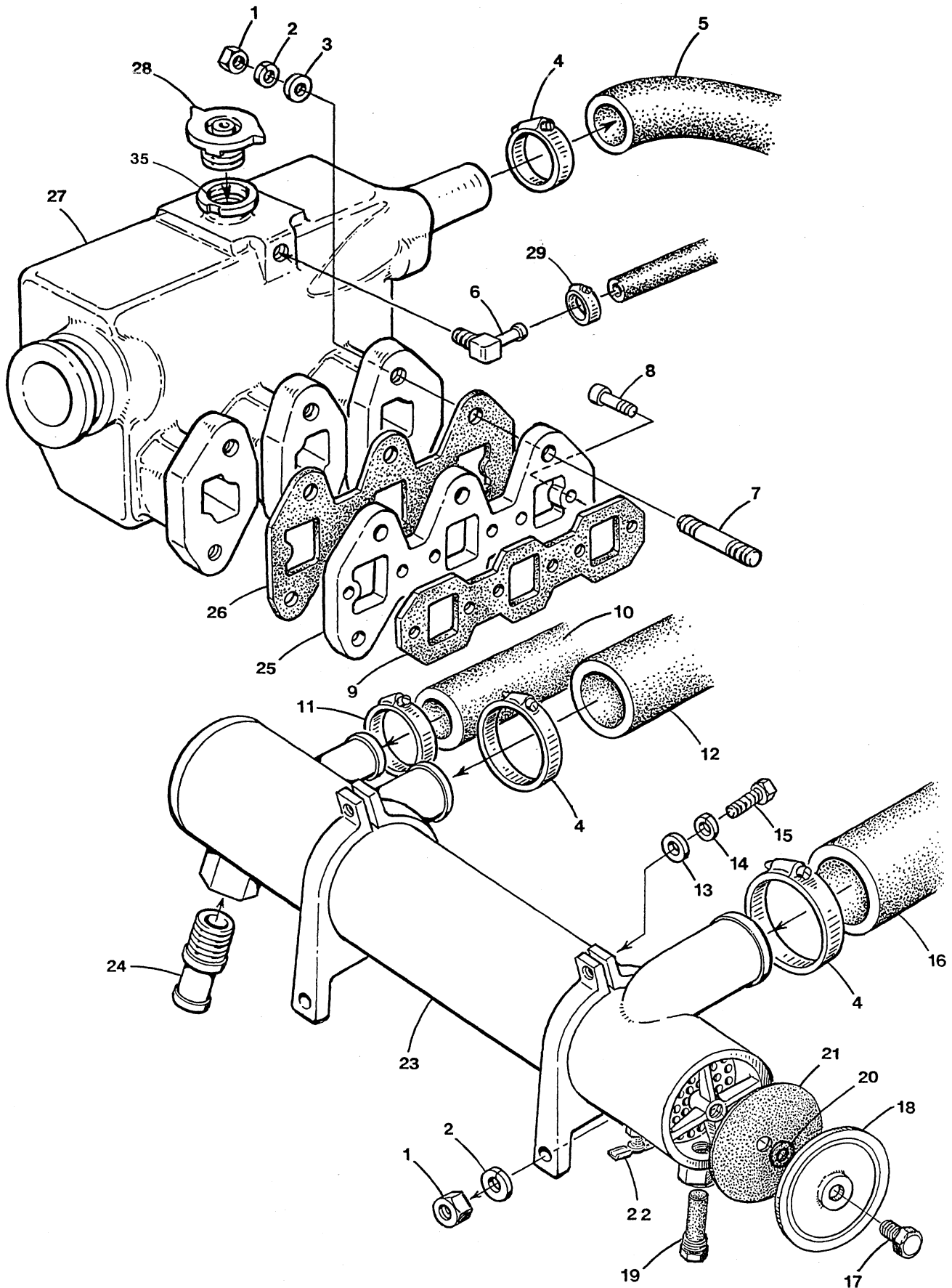
OIL MANIFOLD - OIL FILTER ASSY.



OIL MANIFOLD & OIL FILTER ASSEMBLY

Reference #	Part #	Part Name	Remarks	Quantity
8	047123	NIPPLE	OIL FILTER	1
9	036918	FILTER	LUBE OIL	1
10	040907	HOSE	OIL	1
11	024844	ADAPTER	1/8 BSPT TO 1/8 NPT	1
14	019369	PLUG	1/8 NPT HEAX HEAD BRASS	4
15	015122	ELBOW	1/8 NPT 45 STREET STEEL	1
16	015289	ADAPTER	MALE 1/8 NPT X 5/16	1
17	043902	HEADER	OIL PRESSURE SENDER & SWITCHES	1
18	031793	WASHER	M12 DIN 127	2
19	031792	LOCKWASHER	M12 DIN 127	2
20	024959	CAPSCREW	M12 X 1.25 X 25 DIN 961	2
22	011552	SWITCH	OIL PRESSURE - AUXILARY (N/C)	1
23	011984	ELBOW	1/8 NPT 90 STREET STEEL	1
24	037323	SWITCH	OIL PRESSURE (N/O)	1
25-1	024132	SENDER	OIL PRESSURE 100 PSI 12 VDC	1
25-2	042161	SENDER	OIL PRESSURE 80 PSI 24 VDC	1
25-3	011916	SENDER	OIL PRESSURE 150 PSI UNGND	1
25-4	024975	SENDER	OIL PRESSURE 100 PSI DUAL PANEL	1
25-5	034911	SENDER	OIL PRESSURE 150 PSI DUAL PANEL UNGND	1

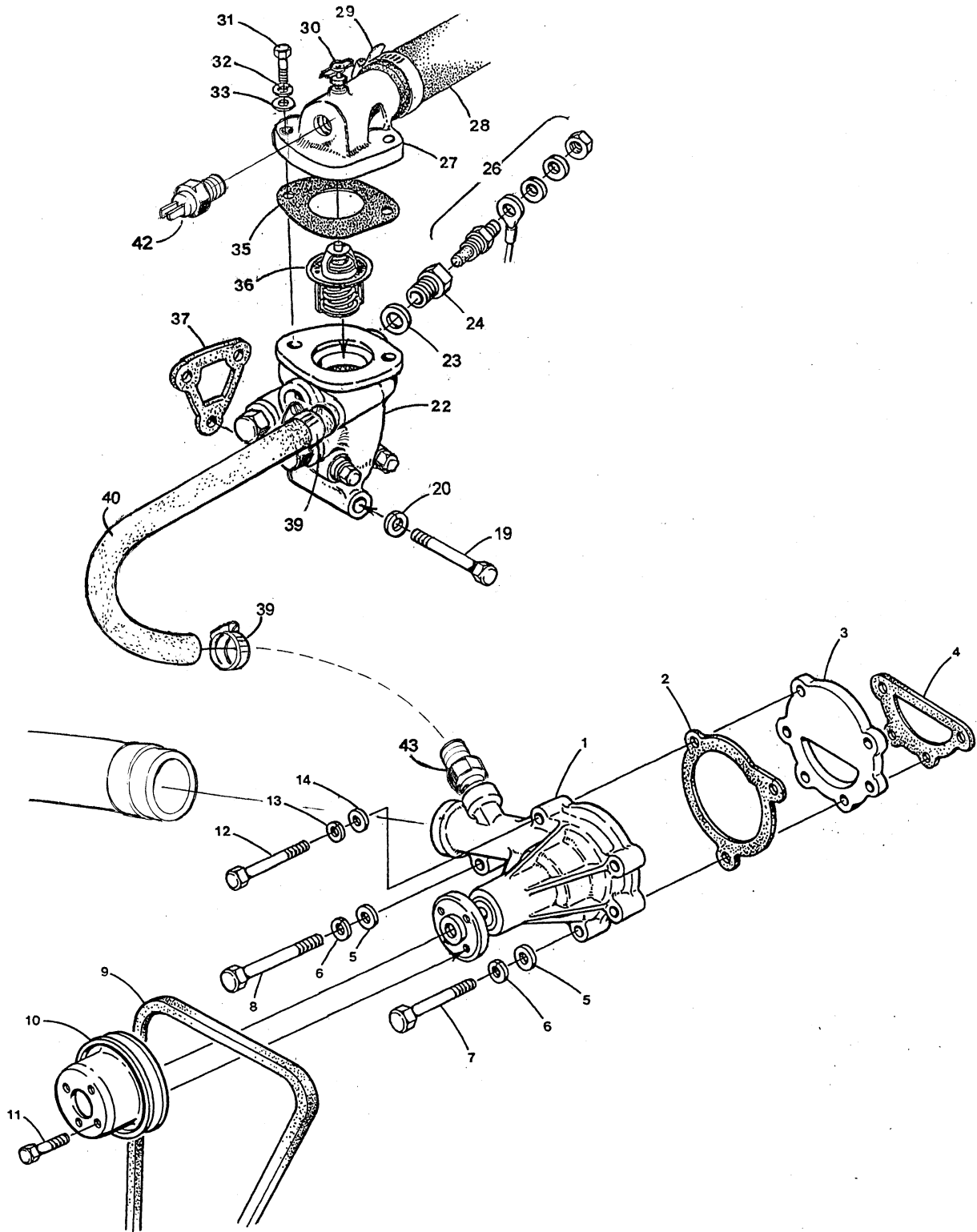
EXHAUST MANIFOLD & HEAT EXCHANGER



EXHAUST MANIFOLD & HEAT EXCHANGER

Reference #	Part #	Part Name	Remarks	Quantity
1	048221	MANIFOLD	EXHAUST	1
2	035411	NAMEPLATE		1
3	031935	SCREW	8-32 X 1/4 SS OVAL HEAD	2
4	011386	CLAMP	HOSE 12	2
5	043940	HOSE	SEA PUMP TO EXCHANGER	1
6	031787	WASHER	M8 DIN 125	6
7	031786	LOCKWASHER	M8 DIN 127	6
8	018242	NUT	M8 DIN 934	6
9	021878	CLAMP	HOSE 20	6
10	043679	HOSE	MANIFOLD TO EXCHANGER	1
11	036622	NIPPLE	3/4NPT TO 1" HOSE	1
12	022851	GASKET	EXCHANGER END COVER	2
13	019321	O-RING	EXCHANGER END COVER	2
14	022850	COVER	EXCHANGER END	2
15	022852	CAPSCREW	3/8 NC X 3/4 BRASS	2
17-1	046778	CAPSCREW	M12 X 1.25 X 30 DIN 912	2
17-2	032014	CAPSCREW	M12 X 1.25 X 30 JIS - USED ON 45374 CU NICKEL	2
18	031792	LOCKWASHER	M12 DIN 127	2
19-1	045528	EXCHANGER	HEAT	1
19-2	045374	EXCHANGER	HEAT- CUPRO NICKEL	1
20	031506	CAPSCREW	1/4NC X 1-1/4	2
21	031752	LOCKWASHER	1/4	2
22	031753	WASHER	FLAT 1/4	2
23	019369	PLUG	1/8NPT HEX HEAD BRASS	2
24	011885	ZINC		1
25	034228	HOSE	EXCHANGER TO FRESH WATER PUMP	1
26	043817	GASKET	EXHAUST MANIFOLD TO ADAPTER	1
27	048298	CAPSCREW	M 8 X 18 DIN 912	6
28	043670	ADAPTER	MANIFOLD TO HEAD	1
29	015830	STUD	M8 X 25 DIN 939	6
30	043956	GASKET	EXHAUST TO HEAD	1
31	024907	ELBOW	1/8NPT X 5/16 HOSE	1
32	024306	CAP	PRESSURE 15 PSI	1
33	043952	HOSE	THERMOSTAT TO MANIFOLD	1
34	024906	CLAMP	HOSE 04 MINI	1
35	011751	NECK	FILLER	1

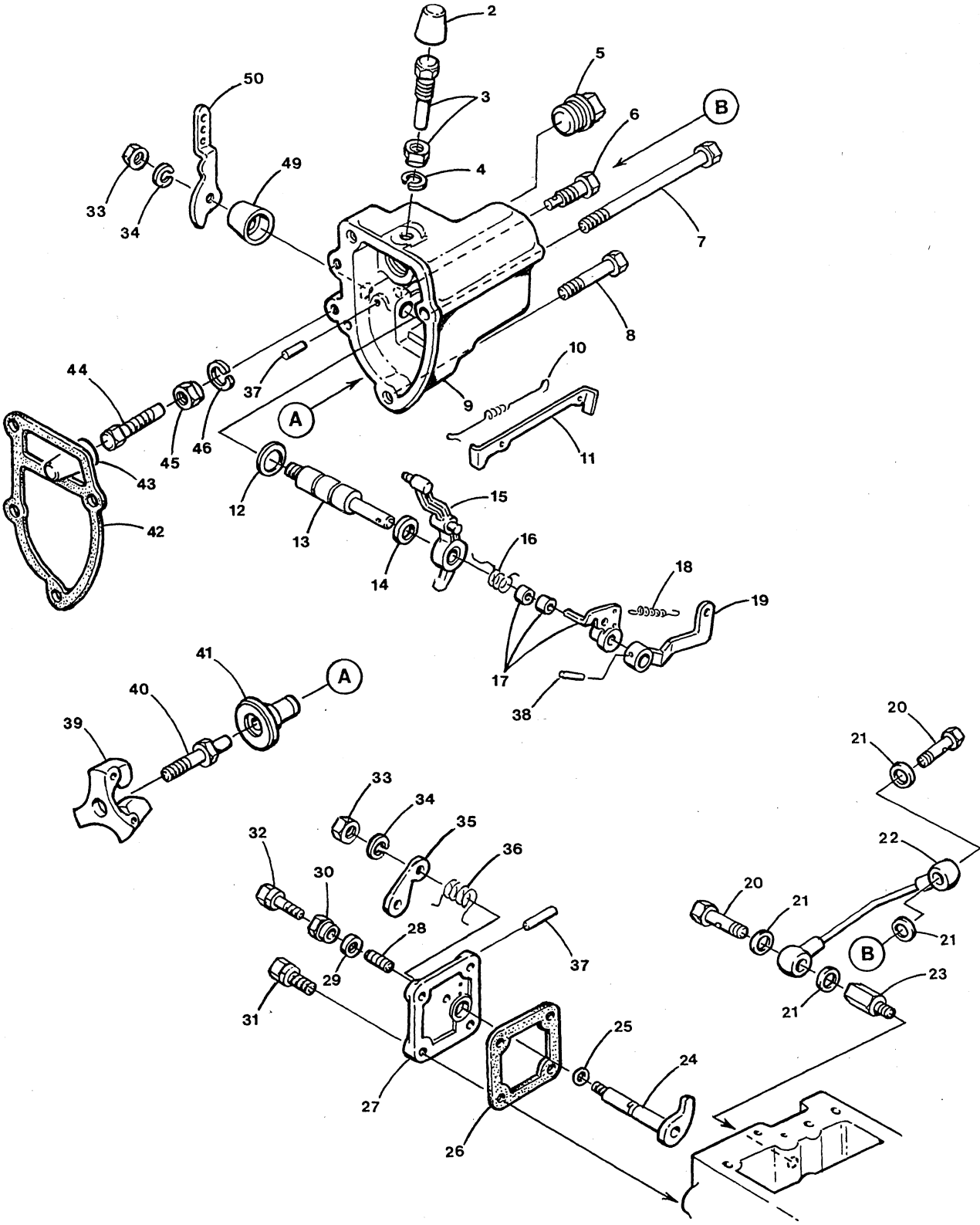
THERMOSTAT & FRESH WATER PUMP



THERMOSTAT & FRESH WATER PUMP

Reference #	Part #	Part Name	Remarks	Quantity
1	045231	PUMP	FRESH WATER	1
2	044082	GASKET	FRESH WATER PUMP PLATE	1
3	044083	PLATE	FRESH WATER PUMP	1
4	030474	GASKET	WATER PUMP TO BLOCK	1
5	031787	WASHER	M8 DIN 125	4
6	031786	LOCKWASHER	M8 DIN 127	4
7	024948	CAPSCREW	M8 X 45 DIN 931	3
8	031225	CAPSCREW	M8 X 60 DIN 931	1
9	045232	BELT		1
10	047134	PULLEY	FRESH WATER PUMP	1
11	035785	CAPSCREW	M6 X 12 JIS 6 W/LW	4
12	013590	CAPSCREW	M6 X 30 DIN 933	2
13	031783	LOCKWASHER	M6 DIN 127	2
14	031784	WASHER	M6 DIN 125	2
17	017298	CLAMP	HOSE 06	2
19	031812	CAPSCREW	M8 X 65 DIN 931	3
20	031786	LOCKWASHER	M8 DIN 127	3
22	045233	HOUSING	THERMOSTAT LOWER	1
23	033280	WASHER	BANJO M16 ALI MINUM	2
24	024602	ADAPTER	M16 X 1.5 TO 1/8 NPT	1
26-1	035109	SENDER	WATER TEMPERATURE (STD ON GENSET)	1
26-2	011915	SENDER	WATER TEMPERATURE UNGROUNDED	1
26-3	022124	SENDER	WATER TEMPERATURE 12 VDC DUAL PANEL	1
26-4	034912	SENDER	WATER TEMPERATURE UNGRND DUAL PANEL	1
27	043434	HOUSING	THERMOSTAT UPPER	1
28	043952	HOSE	THERMOSTAT TO MANIFOLD	1
29	021878	CLAMP	HOSE 20	2
30	011471	PETCOCK	1/8 NPT	1
31	013619	CAPSCREW	M8 X 30 DIN 933	2
32	031786	LOCKWASHER	M8 DIN 127	2
33	031787	WASHER	M8 DIN 125	2
35	034196	GASKET	THERMOSTAT	1
36	024688	THERMOSTAT		1
37	045236	GASKET	THERMOSTAT LOWER HOUSING	1
39	024906	CLAMP	HOSE 04 MINI	2
40	035435	HOSE	5/16 ID - INCHES REQUIRED	9
42	039550	SWITCH	WATER TEMPERATURE	1
43	032180	CONNECTOR	3/8 BSPT X 8MM	1

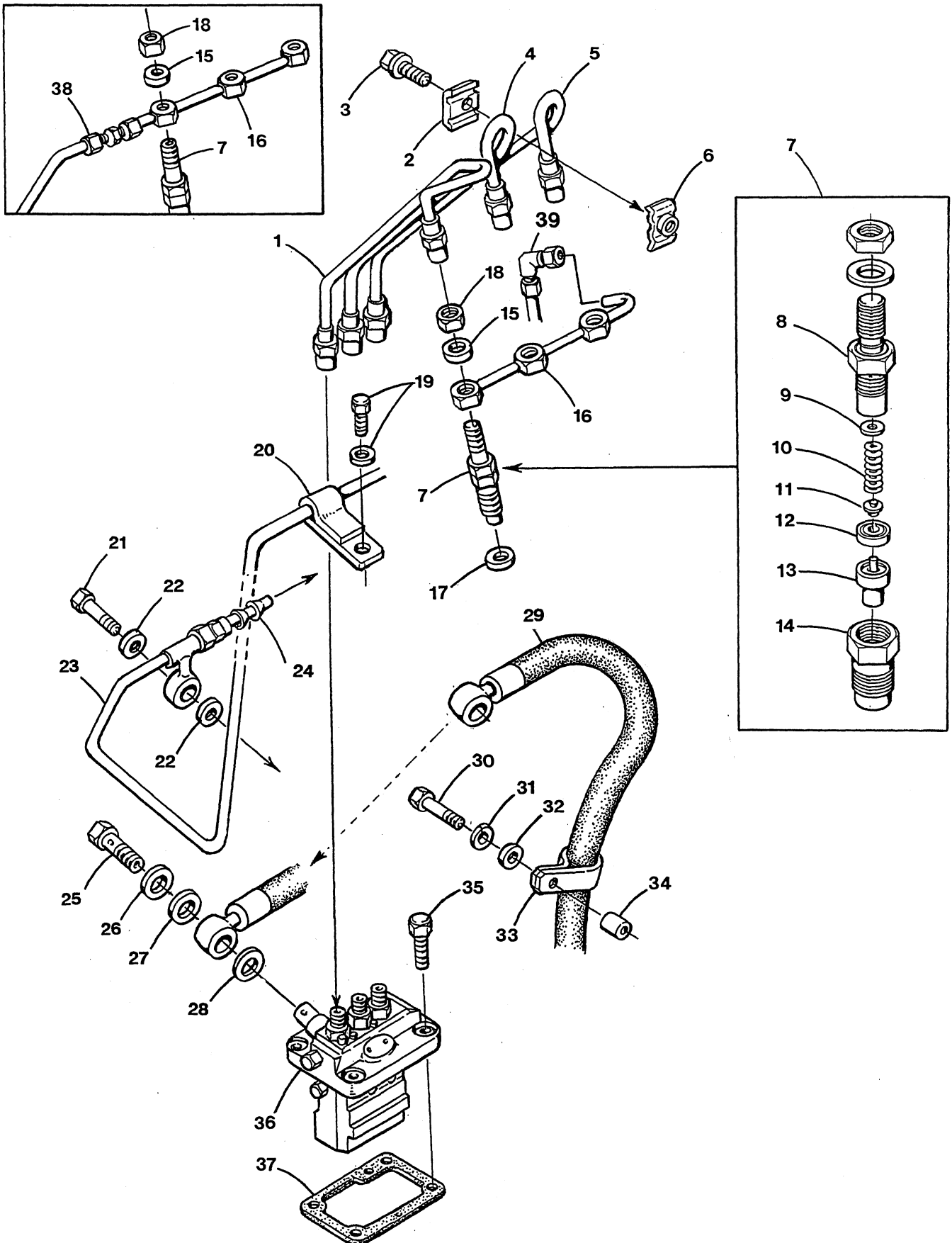
GOVERNOR ASSEMBLY



GOVERNOR ASSEMBLY

Reference #	Part #	Part Name	Remarks	Quantity
1	048112	GOVERNOR ASSY	GENERATOR	1
2	043981	COVER	TORQUE SET ANTI-TAMPER	1
3	043977	SCREW SET	RACK SET	1
4	043980	C-RING	TORQUE SET	1
5	036944	PLUG	M30 X 1.5 - WHEN SOLENOID NOT INSTALLED	1
6	045398	CONNECTOR	OIL LINE TO GOVERNOR	1
7	045248	BOLT	GOVERNOR CASE	1
8	024948	CAPSCREW	M8 X 45 DIN 931	3
9	047139	HOUSING	GOVERNOR	1
10	048109	SPRING	TIE ROD	1
11	048110	ROD	TIE - GOVERNOR	1
12	047147	O-RING		1
13	045249	SHAFT	GOVERNOR	1
14	045261	SHIM	GOVERNOR SHAFT	1
15	047140	LEVER	GOVERNOR	1
16	045252	SPRING	START	1
17	045245	LEVER ASSY	TENSION	1
18	047137	SPRING	GOVERNOR	1
19	047136	LEVER	GOVERNOR SPRING	1
20	045234	BOLT	BANJO M10 OIL LINE	1
21	046920	WASHER	M10	2
22	047141	LINE	OIL	4
23	047138	CONNECTOR	OIL LINE TO BLOCK	1
24	045243	LEVER	STOP	1
25	030277	O-RING		1
26	030578	GASKET	TIE ROD COVER	1
27	045242	COVER	TIE ROD INCL. REF #S 28 - 30	1
28	045235	SCREW	ADJUSTING-TIE ROD COVER	1
29	048019	WASHER	STOP LEVER	1
30	045267	NUT	TIE ROD COVER	1
31	043065	CAPSCREW	M6 X 18 JIS 7 W/LW	3
32	035794	CAPSCREW	M8 X 30 JIS 6 W/LW	1
33	031802	NUT	M8 DIN 936 JAM	2
34	031786	LOCKWASHER	M8 DIN 127	2
35	045272	LEVER	STOP	1
36	046907	SPRING	RETURN	1
37	030208	PIN	GROOVED	1
38	047146	PIN	SPRING	1
39	047135	WEIGHT	GOVERNOR	1
40	045258	SHAFT	GOVERNOR SLIDING	1
41	047143	SLEEVE	SLIDING	1
42	045260	GASKET	GOVERNOR HOUSING	1
43	043983	COVER	HIGH SPEED SET SCREW ANTI-TAMPER	1
44	045171	BOLT	HIGH SPEED INCL. REF #45	1
45	047125	NUT	HIGH SPEED SET	1
46	043984	C-RING	RETAINING	1
49	045247	COVER	GOVERNOR	1
50	045259	LEVER	THROTTLE	1
51	031783	LOCKWASHER	M6 DIN 127	4

FUEL SYSTEM & NOZZLE ASSEMBLY



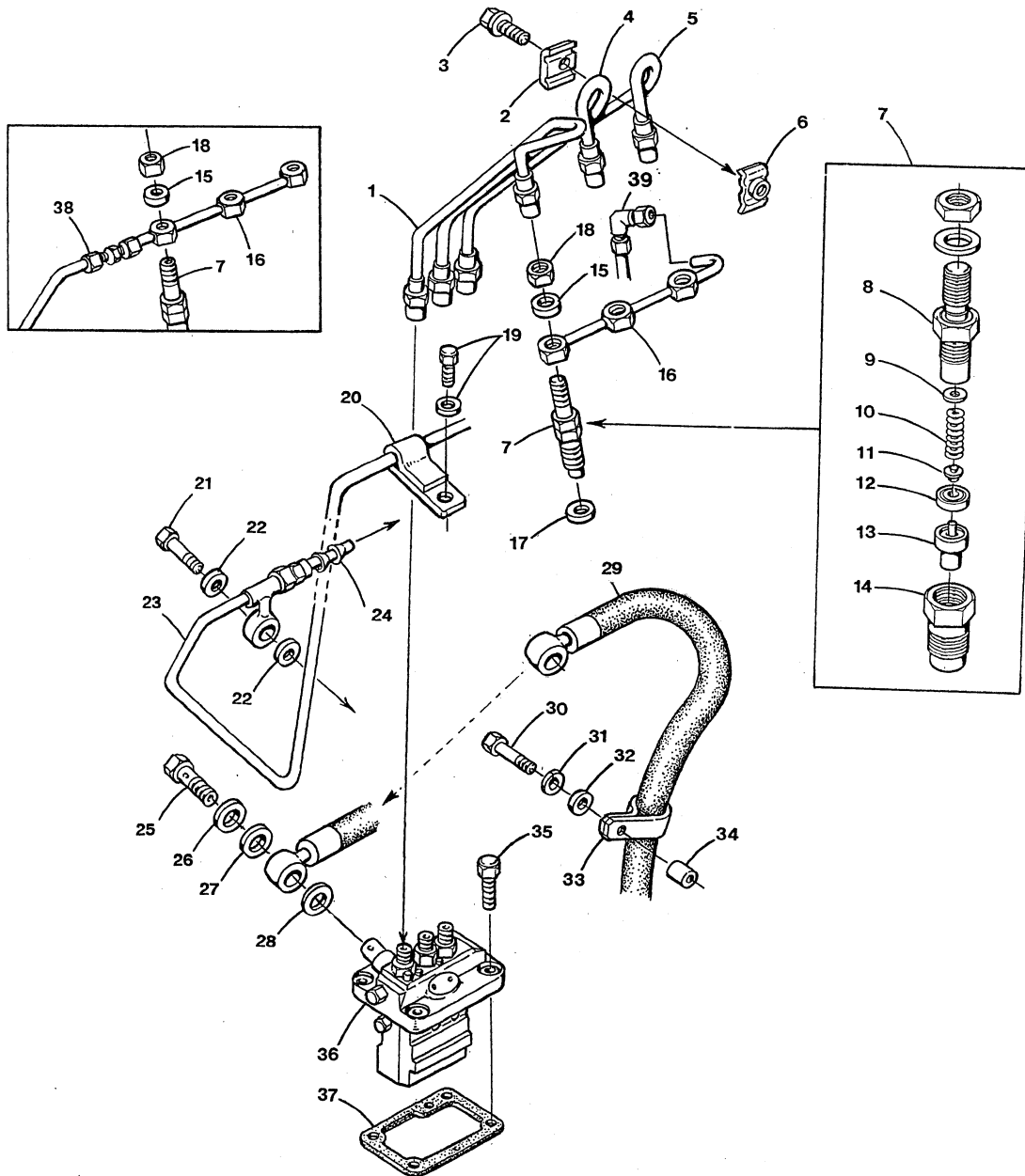
FUEL SYSTEM & NOZZLE ASSEMBLY

Reference #	Part #	Part Name	Remarks	Quantity
1	045237	LINE	INJECTOR 1	1
2	030315	CLAMP	FUEL LINE	2
3	035810	CAPSCREW	M 6 X 25 JIS 6 W/LW-FW	2
4	045238	LINE	INJECTOR 2	1
5	045239	LINE	INJECTOR 3	1
6	046910	CLAMP	FUEL LINE	2
7	037091	INJECTOR	INCLUDING REF 8 THRU 14	3
8	037112	HOLDER	INJECTOR	3
9-1	036925	SHIM	INJECTOR 1.25	AR
9-2	036926	SHIM	INJECTOR 1.30	AR
9-3	036927	SHIM	INJECTOR 1.35	AR
9-4	036928	SHIM	INJECTOR 1.40	AR
9-5	036929	SHIM	INJECTOR 1.45	AR
9-6	036930	SHIM	INJECTOR 1.50	AR
9-7	036931	SHIM	INJECTOR 1.55	AR
9-8	036932	SHIM	INJECTOR 1.60	AR
9-9	036933	SHIM	INJECTOR 1.65	AR
9-10	036934	SHIM	INJECTOR 1.70	AR
10	037106	SPRING	INJECTOR	3
11	037107	PIN	INJECTOR SPRING	3
12	037108	SPACER	INJECTOR	3
13	036935	NOZZLE	INJECTOR	3
14	037109	NUT	INJECTOR NOZZLE	3
15	036922	GASKET	INJECTOR RETURN	3
16-1	048108	LINE	INJECTOR LEAKOFF TO JULY 2002 (E207)	1
16-2	048333	LINE	INJECTOR LEAKOFF FROM JULY 2002 (E207)	1
17	038841	GASKET	INJECTOR TO HEAD	3
18	036921	NUT	INJECTOR	3
19	035796	CAPSCREW	M8 X 40 JIS 6 W/LW TO JULY 2002 (E207)	1
20	044069	STRAP	CLAMP FUEL RETURN LINE TO JULY 2002 (E207)	1
21	016988	BOLT	BANJO M8	1
22	030289	WASHER	BANJO M8	2
23-1	046311	LINE	INJECTOR RETURN FROM JULY 2002 (E207)	1
23-2	044500	LINE	INJECTOR RETURN TO JULY 2002 (E207)	1
24	034641	CONNECTOR	FUEL RETURN HOSE	1
25	024916	BOLT	BANJO M12	1
26	024972	WASHER	BANJO M14 ALUMINUM	1
27	030291	WASHER	BANJO M14	1
28	030290	WASHER	BANJO 12	1
29	044214	HOSE	FILTER TO INJECTION PUMP	1

(CONTINUED)

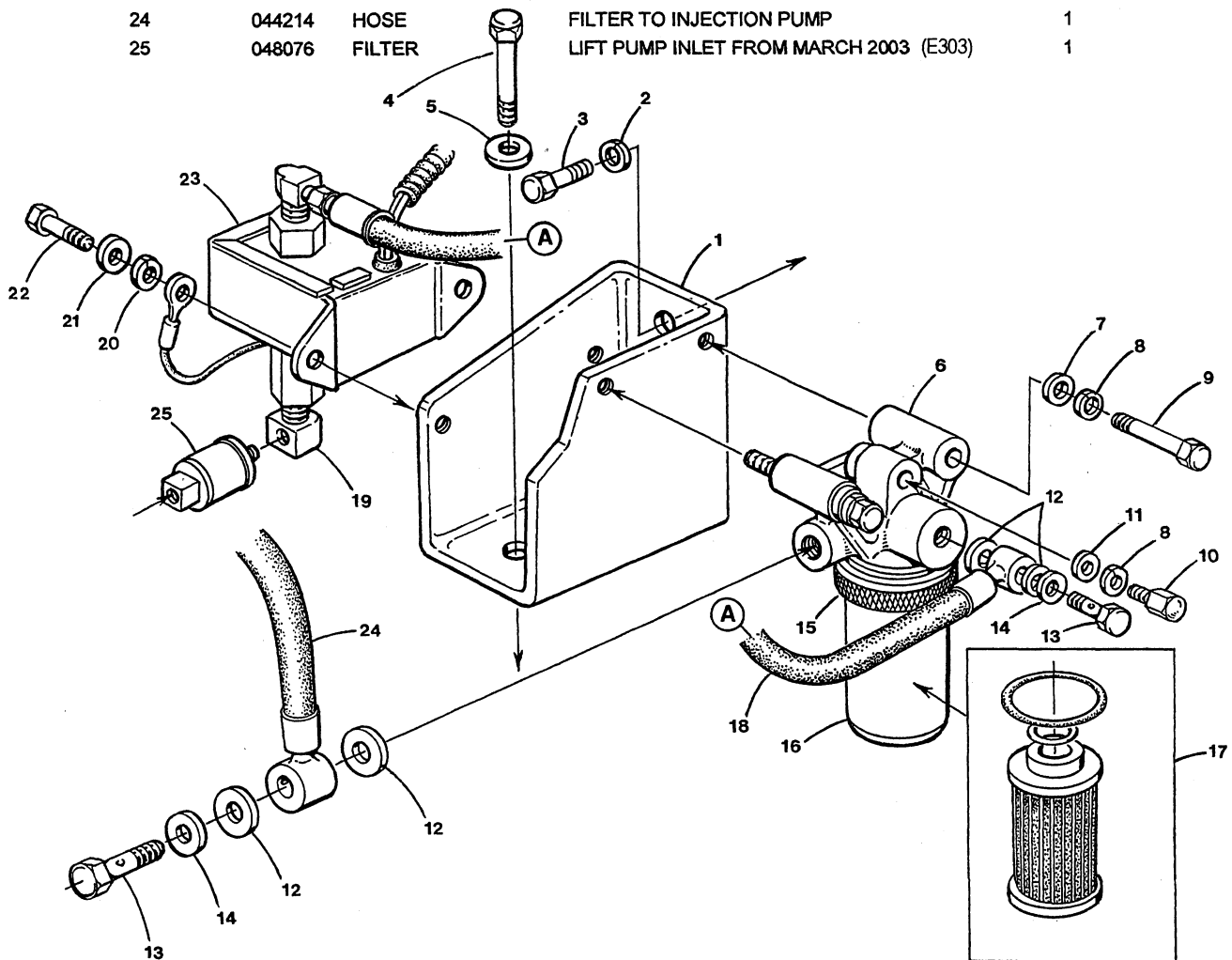
FUEL SYSTEM & NOZZLE ASSEMBLY

Reference #	Part #	Part Name	Remarks	Quantity
30	013590	CAPSCREW	M6 X 30 DIN 933	1
31	031783	LOCKWASHER	M6 DIN 127	1
32	031753	WASHER	FLAT 1/4	1
33	021676	CLAMP	SUPPORT HOSE	1
34	033052	SPACER	SOLENOID TO BRACKET	1
35	017196	CAPSCREW	M8 X DIN 933	4
36	048115	PUMP	INJECTION	1
37-1	030565	SHIM	ADJUSTING 0.7MM	AR
37-2	030566	SHIM	ADJUSTING 0.8MM	AR
37-3	030567	SHIM	ADJUSTING 0.9MM	AR
37-4	030568	SHIM	ADJUSTING 1.0MM	AR
37-5	030560	SHIM	ADJUSTING 0.2MM	AR
38-1	024600	UNION	COMPRESSION INCL 38 - 2 & 3 FROM JULY 2002 (E207)	1
38-2	013344	NUT	COMPRESSION 3/16 FROM JULY 2002 (E207)	2
38-3	013343	FERRULE	COMPRESSION 3/16 FRGM JULY 2002 (E207)	2
39	043993	ELBOW	COMPRESSION 3/16 COMPRESSION TO JULY 2002 (E207)	1

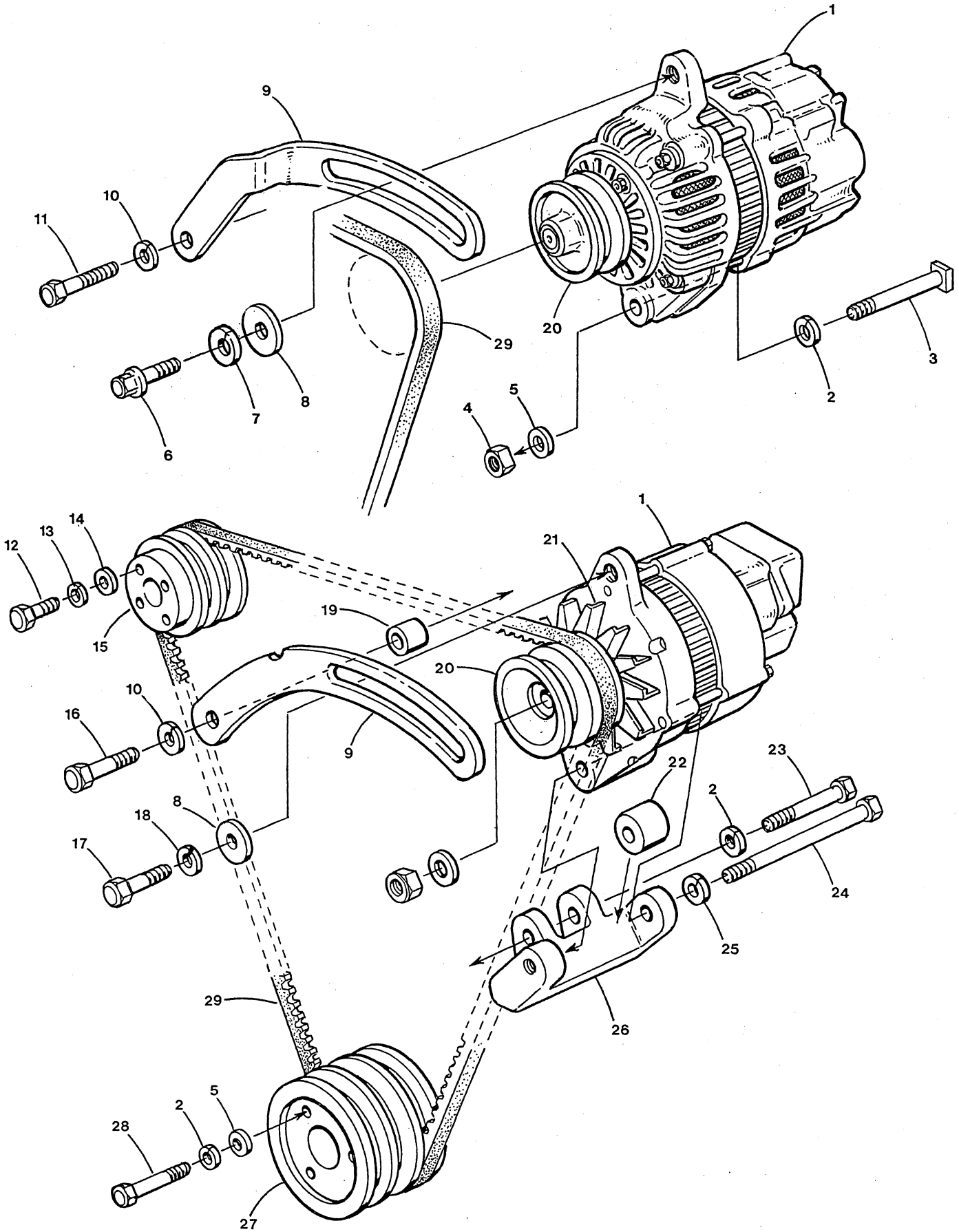


FUEL LIFT PUMP & FUEL FILTER

Reference #	Part #	Part Name	Remarks	Quantity
1	043899	MOUNT	FRONT RIGHT-LIFT PUMP & FILTER BRACKET	1
2	031792	LOCKWASHER	M12 DIN 127	2
3	024959	CAPSCREW	M12 X 1.25 X 25 DIN 961	2
4	031713	CAPSCREW	1/2NC X 3	1
5	031777	WASHER	FLAT 1/2	1
6	030210	FILTER	FUEL	1
7	031787	WASHER	M8 DIN 125	3
8	031786	LOCKWASHER	M8 DIN 127	2
9	031811	CAPSCREW	M8 X 55 DIN 931	2
10	044243	CAPSCREW	M8 X 14 DIN 933	1
11	030289	WASHER	BANJO M8	1
12	030291	WASHER	BANJO M14	4
13	024984	BOLT	BANJO M14	2
14	024972	WASHER	BANJO M14 ALUMINUM	2
15	046669	RETAINER	FUEL FILTER	1
16	030199	CUP	FUEL FILTER	1
17	030200	ELEMENT	FUEL FILTER INCL O-RINGS	1
18	038606	HOSE	LIFT PUMP TO FILTER	1
19	013340	ELBOW	1/8 NPT 90 STREET BRASS	1
20	031784	WASHER	M6 DIN 125	2
21	031783	LOCKWASHER	M6 DIN 127	2
22	017012	CAPSCREW	M6 X 16 DIN 933	2
23-1	039275	PUMP	FUEL LIFT 12 VDC	1
23-2	046631	PUMP	FUEL LIFT 24 VDC	1
24	044214	HOSE	FILTER TO INJECTION PUMP	1
25	048076	FILTER	LIFT PUMP INLET FROM MARCH 2003 (E303)	1



ALTERNATOR ASSEMBLY - 50/72/90 AMP

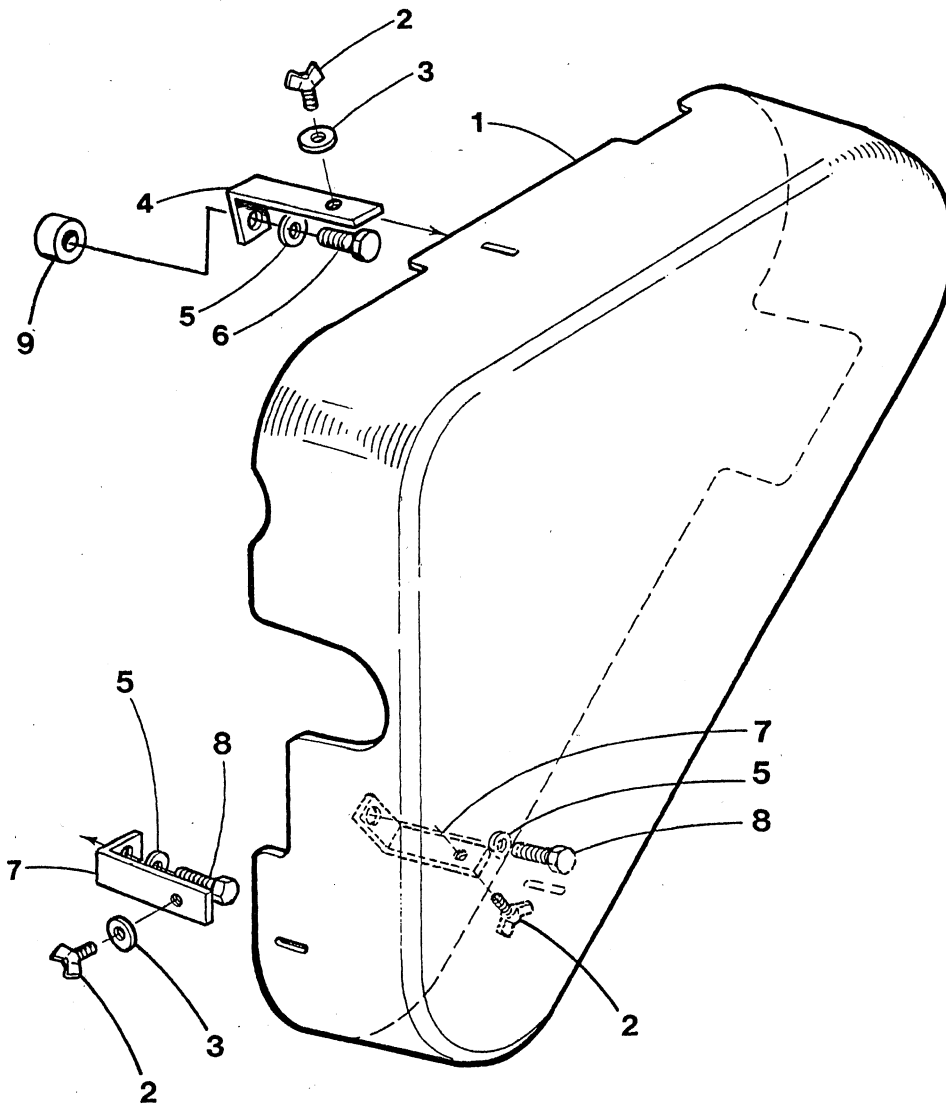


ALTERNATOR ASSEMBLY - 50/72/90 AMP

Reference #	Part #	Part Name	Remarks	Quantity
1-1	043953	ALTERNATOR	12VDC 50 AMP	1
1-2	044895	ALTERNATOR	24VDC 42 AMP	1
1-3	300746	ALTERNATOR	12VDC 72 AMP	1
1-4	042065	ALTERNATOR	12VDC 90 AMP	1
1-5	034922	ALTERNATOR	12VDC 51 AMP UNGROUNDED	1
1-6	044338	ALTERNATOR	24VDC 35 AMP UNGROUNDED	1
2	019262	LOCKWASHER	M10 DIN 127	1
3	043954	BOLT	ALTERNATOR 43953 MOUNTING	1
4	024950	NUT	M10 X 1.25 DIN 934	1
5	031789	WASHER	M10 DIN 125	1
6-1	013630	CAPSCREW	M8 X 25 DIN 933 - ALTERNATOR 43953	1
6-2	031555	CAPSCREW	5/16NC x 1" - ALTERNATOR 300746	1
7-1	031786	LOCKWASHER	M8 DIN 127	1
7-2	031758	LOCKWASHER	5/16	1
8	033381	WASHER	FLAT	1
9-1	047145	STRAP	ALTERNATOR 43953 ADJUST	1
9-2	043998	STRAP	ALTERNATOR ADJUST	1
9-3	040030	STRAP	ALTERNATOR 44338 ADJUST	1
10	031786	LOCKWASHER	M8 DIN 127	1
11	018812	CAPSCREW	M8 X 70 DIN 931	1
12	017012	CAPSCREW	M6 X 16 DIN 933	4
13	031783	LOCKWASHER	M6 DIN 127	4
14	031784	WASHER	M6 DIN 125	4
15	043832	PULLEY	FRESH WATER PUMP 2 GROOVE 90 AMP	1
16	024983	CAPSCREW	M8 X 75 DIN 931	1
17	031555	CAPSCREW	5/16NC X 1	1
18	031758	LOCKWASHER	5/16	1
19	040406	SPACER		1
20-1	048021	PULLEY	ALTERNATOR 43953	1
20-2	043838	PULLEY	ALTERNATOR 42065	1
20-3	052326	PULLEY	ALTERNATOR 34922 - 44338 - 44895 - 300746	1
21	042066	FAN	ALTERNATOR 42065	1
22-1	043844	SPACER	ALTERNATOR 300746	1
22-2	033473	SPACER	ALTERNATOR 42065	1
23	031819	CAPSCREW	M10 X 1.25 X 60 DIN 961	1
24-1	031718	CAPSCREW	1/2NC X 4-1/4 - BRACKET 43824	1
24-2	031618	CAPSCREW	3/8NC X 4-1/4 - BRACKET 43848	1
25-1	031776	LOCKWASHER	1/2	1
25-2	031764	LOCKWASHER	3/8	1
26-1	043824	BRACKET	ALTERNATOR 24VDC -12/24VDC UNG 72 AMP	1
26-2	043848	BRACKET	ALTERNATOR 90-190 AMP	1
27	043830	PULLEY	CRANKSHAFT 3 GROOVE 90 AMP	1
28	031822	CAPSCREW	M10 X 1.25 X 75 DIN 960	3
29-1	045232	BELT	ALTERNATOR 43953 & 34922	1
29-2	037830	BELT	ALTERNATOR 300746 & 44338	1
29-3	035299	BELT	ALTERNATOR 42065	2
29-4	030475	BELT	ALTERNATOR 44895	1
30	021611	REGULATOR	ALTERNATOR 44338 - NOT SHOWN	1

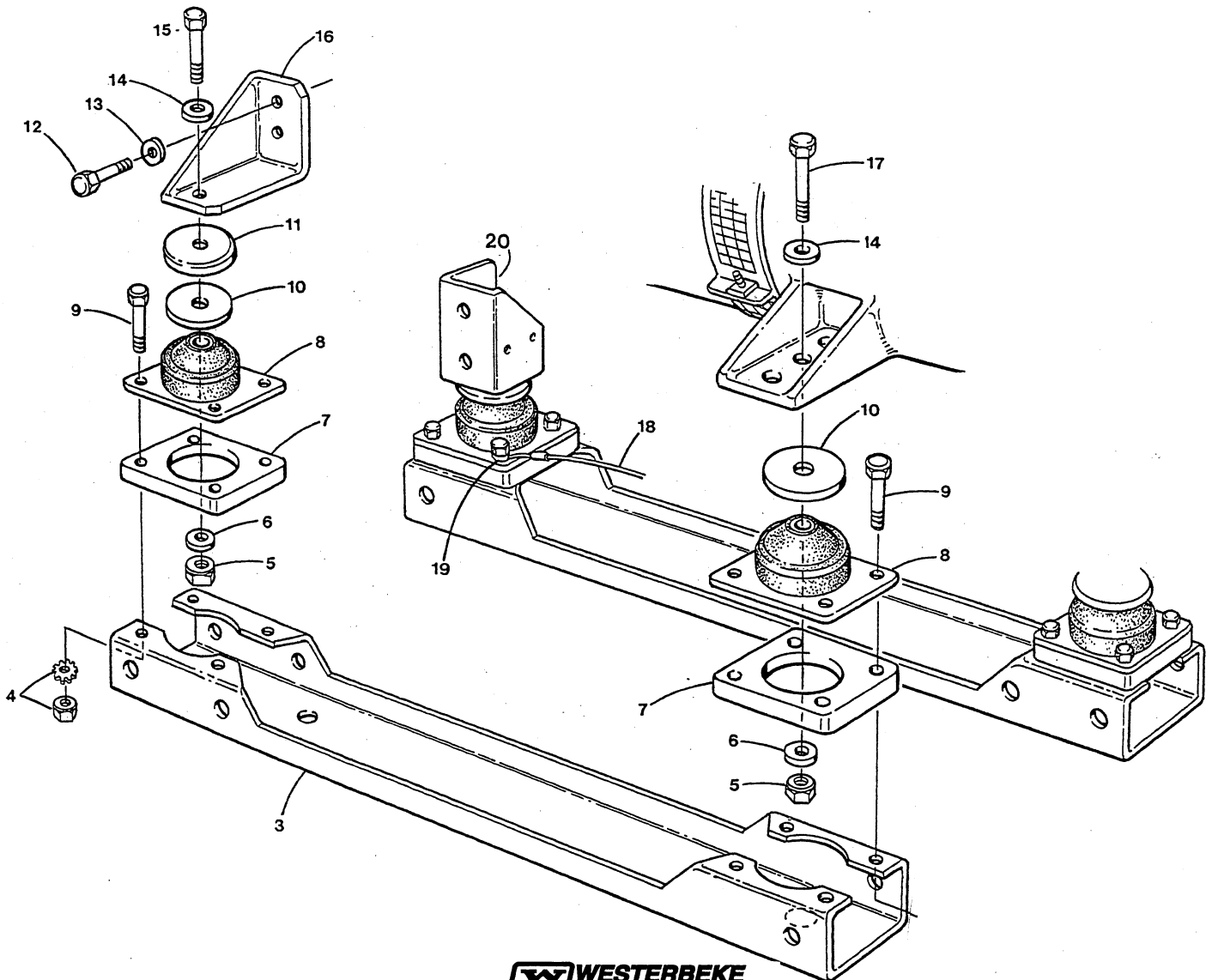
BELT GUARD ASSEMBLY

Reference #	Part #	Part Name	Remarks	Quantity
1	044365	GUARD	BELT	1
2	033228	SCREW	WING 10-32 X 1/2	3
3	033372	WASHER	FLAT	3
4-1	044168	BRACKET	BELT GUARD TOP	1
4-2	033699	BRACKET	BELT GUARD TOP 24 VDC	1
5	031849	LOCKWASHER	10 SS	3
6	024983	CAPSCREW	M8 X 75 DIN 931	1
7-1	037828	BRACKET	BELT GUARD	2
7-2	037828	BRACKET	BELT GUARD - LEFT 24 VDC	1
7-3	044894	BRACKET	BELT GUARD - RIGHT 24 VDC	1
8	024949	CAPSCREW	M8 X 50 DIN 931	2
9	042225	SPACER		1



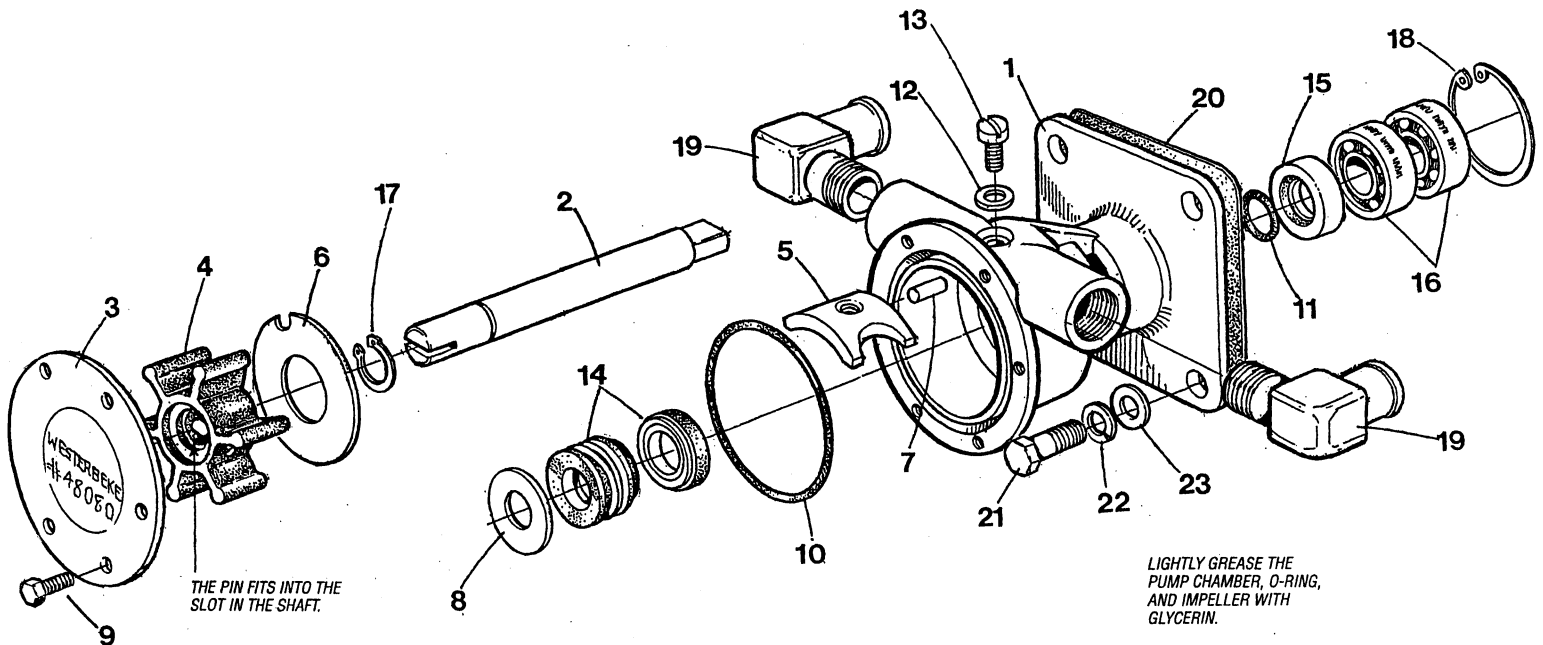
MOUNTING ASSEMBLY

Reference #	Part #	Part Name	Remarks	Quantity
1	044333	RAIL ASSEMBLY	LEFT - INCL. REF#S 3-9	1
2	044334	RAIL ASSEMBLY	RIGHT - INCL. REF#S 3-9 & 18	1
3	043662	RAIL	GENSET	2
4	200127	NUT	5/16 KEPS	16
5	031774	NUT	1/2NC	4
6	031776	LOCKWASHER	1/2	4
7	035271	PLATE	SPACER	4
8-1	024776	ISOLATOR	FRONT	2
8-2	021529	ISOLATOR	REAR	2
9	031557	CAPSCREW	5/16NC X 1-1/2	16
10	024674	WASHER	ISOLATOR SNUBBING	8
11	033530	SHIELD	ISOLATOR	2
12	024959	CAPSCREW	M12 X 1.25 X 25 DIN 961	4
13	031792	LOCKWASHER	M12 DIN 127	4
14	031777	WASHER	FLAT 1/2	4
15	031713	CAPSCREW	1/2NC X 3	2
16	043660	MOUNT	FRONT LEFT	1
17	031714	CAPSCREW	1/2NC X 3-1/4	2
18	034593	STRAP	GROUND	1
19	031759	WASHER	FLAT 5/16	1
20	043899	MOUNT	RIGHT FRONT	1



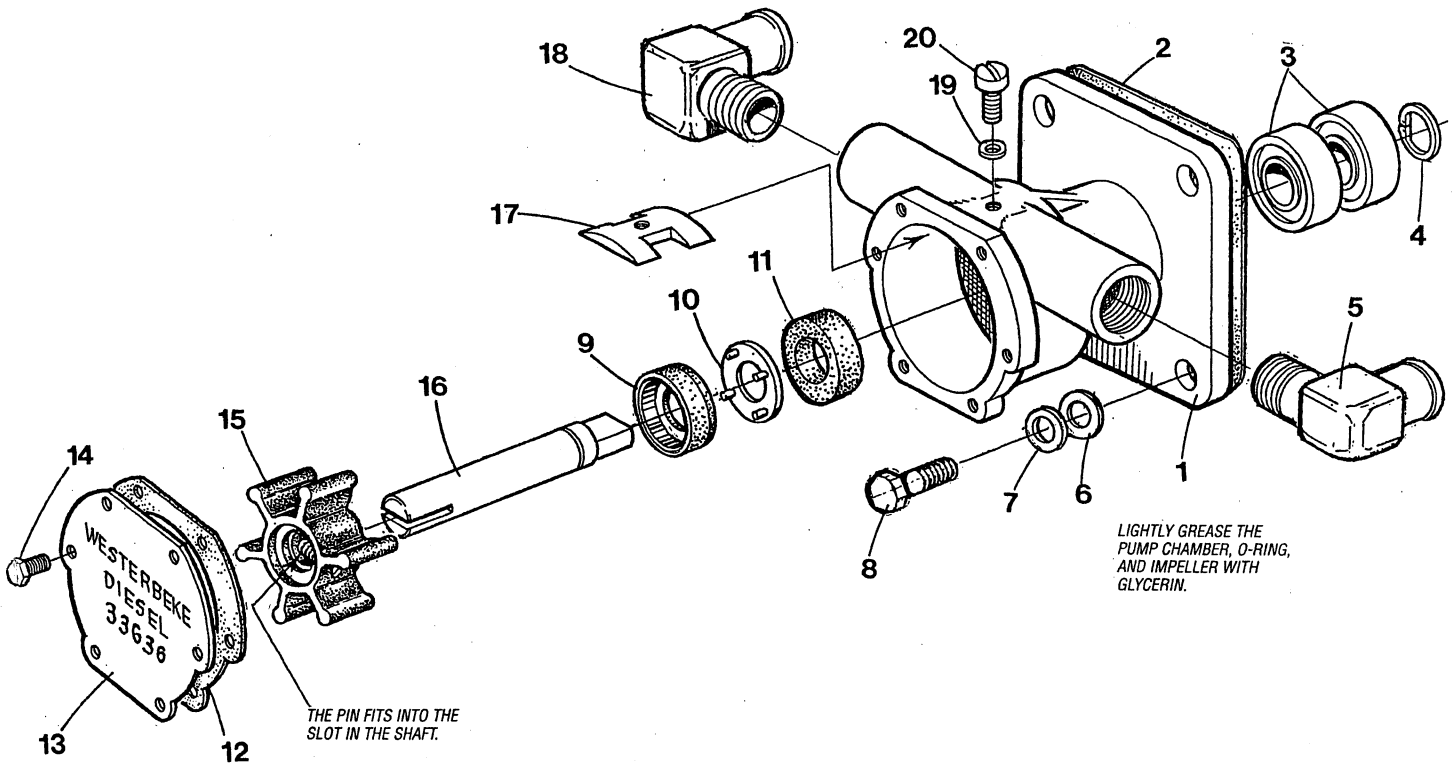
RAW WATER PUMP (from March 2004)

Reference #	Part #	Part Name	Quantity
1	048080	RAW WATER PUMP	1
2	049172	SHAFT	1
3	049170	IMPELLER COVER	1
4	048500	IMPELLER KIT (O-RING & GLYCERIN)	1
5	034458	CAM	1
6	049171	WEAR PLATE	1
7	0302575	DOWEL	1
8	048253	SPRING SEAL WASHER	1
9	034463	IMPELLER COVER SCREW	6
10	048359	IMPELLER COVER O-RING	1
11	033041	O-RING	1
12	033037	CAM WASHER	1
13	046662	CAM SCREW	1
14	048254	SPRING SEAL	1
15	049169	LIP SEAL	1
16	034464	BALL BEARING	2
17	033045	RETAINING INTERNAL RING	1
18	033044	RETAINING EXTERNAL RING	1
19	034710	ELBOW 3/8" NPT TP 7/8" HOSE	1
	036612	ELBOW 3/8" NPT TO 1" HOSE	1
20	030326	MOUNTING GASKET	1
	049000	PUMP REPAIR KIT (INCLUDES ALL COMPONENTS EXCEPT ITEMS 1,7,AND 19)	1
	037431	PUMP KIT (PUMP MOUNTING GASKET AND FITTINGS)	1

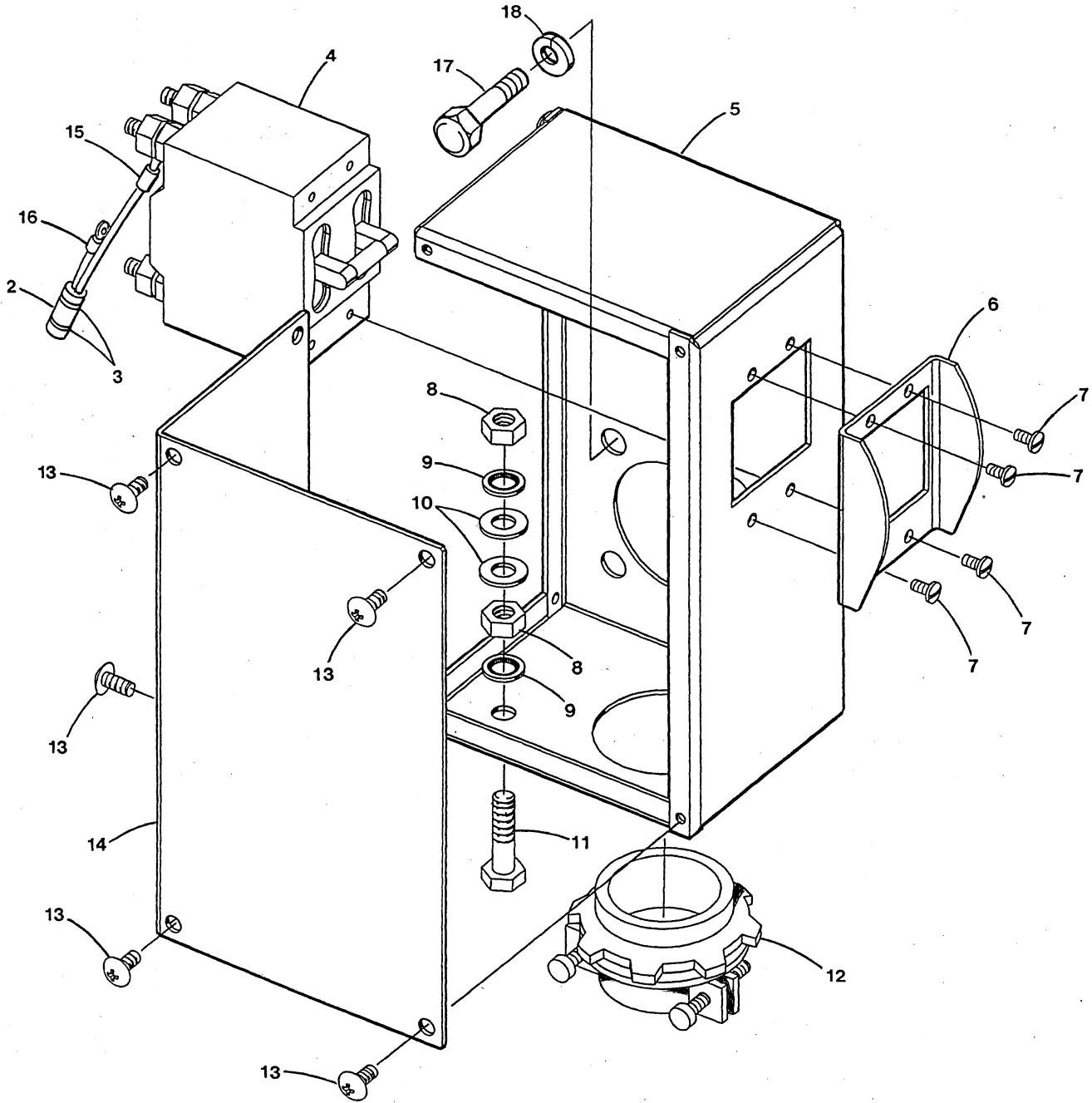


RAW WATER PUMP

Reference #	Part #	Part Name	Quantity
1-1	033636	RAW WATER PUMP (NLA)	1
1-2	034457	HOUSING (NLA)	1
1-3	034466	PUMP KIT	1
2	030326	GASKET	1
3	034464	BEARING	2
4	033044	RING RETAINING	1
5	034710	ELBOW 3/8NPT TO 7/8 HOSE (NOT INCL. W/PUMP)	1
6	031787	WASHER M8 DIN 125	4
7	031786	LOCKWASHER M8 DIN 127	4
8	017196	CAPSCREW M8 X 20 DIN 933	4
9	048013	SEAL	1
10	038678	SPACER	1
11	033043	OIL SEAL	1
12	034459	GASKET	1
13	034461	COVER	1
14	034463	SCREW	6
15	034440	IMPELLER - SCREW-GASKET KIT	1
16	034460	SHAFT	1
17	034458	CAM	1
18	036612	ELBOW 3/8NPT TO 1" HOSE (NOT INCL. W/PUMP)	1
19	033037	WASHER	1
20	034462	SCREW	1



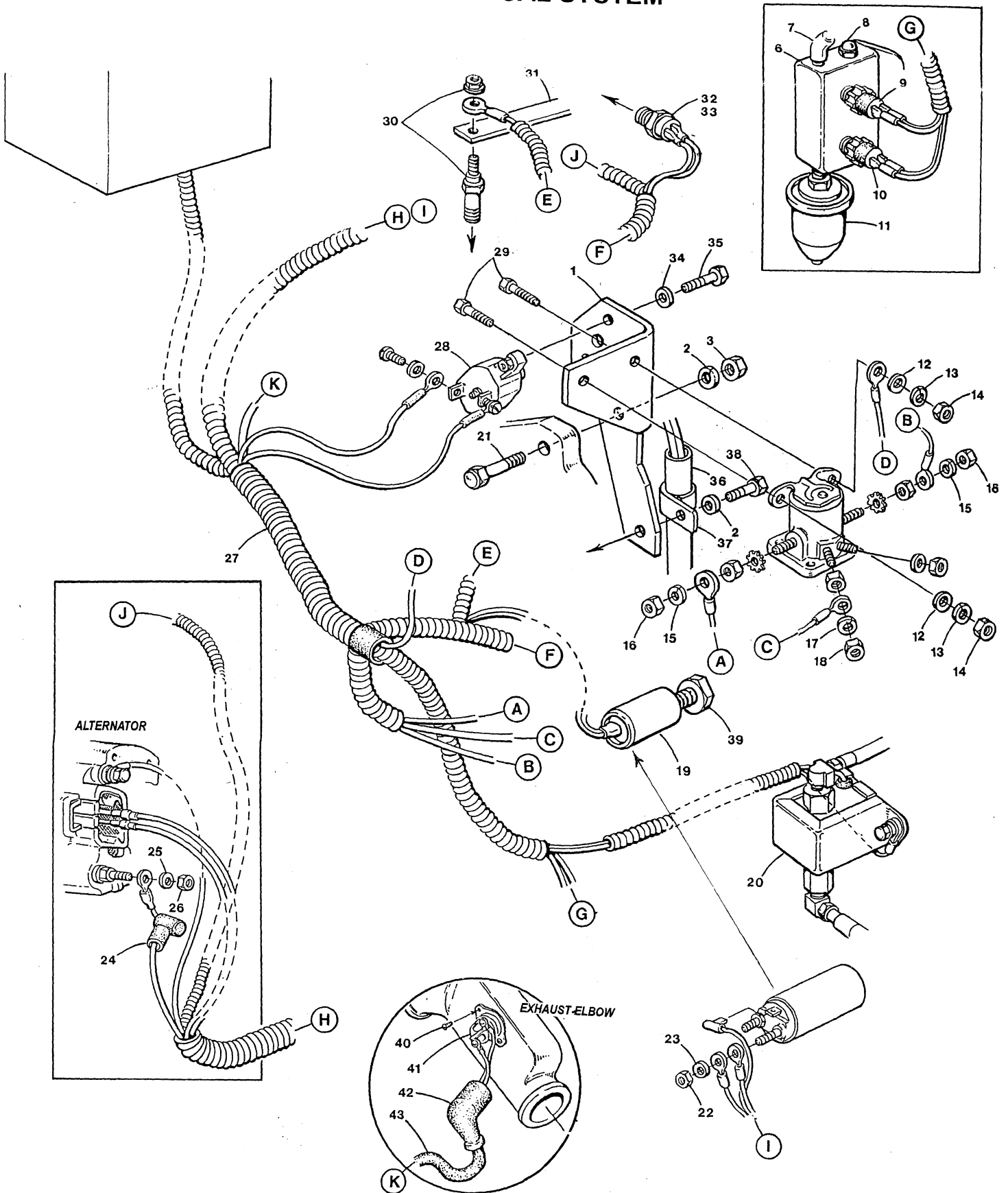
CIRCUIT BREAKER ASSEMBLY



CIRCUIT BREAKER ASSEMBLY

Reference #	Part #	Part Name	Remarks	Quantity
1-1	038619	KIT	AC OUTPUT CIRCUIT BREAKER 60HZ 12.6 BTD	1
1-2	047907	KIT	AC OUTPUT CIRCUIT BREAKER 50HZ 10.4 BTD	1
1-3	038619	KIT	AC OUTPUT CIRCUIT BREAKER 60HZ 11.5 BTD	1
1-4	047907	KIT	AC OUTPUT CIRCUIT BREAKER 50HZ 9.2 BTD	1
1-5	038618	KIT	AC OUTPUT CIRCUIT BREAKER 60HZ 11.0 BTDB	1
1-6	042316	KIT	AC OUTPUT CIRCUIT BREAKER 50HZ 8.8 BTDB	1
2	030067	CONDUIT	FLEX-GARD - INCHES REQUIRED	4
3	013776	TIEWRAP	3.5" LONG	2
4-1	038214	BREAKER	CIRCUIT 60 AMP 60HZ 12.6 BTD	1
4-2	038213	BREAKER	CIRCUIT 50 AMP 50HZ 10.4 BTD	1
4-3	038214	BREAKER	CIRCUIT 60 AMP 60HZ 11.5 BTD	1
4-4	038213	BREAKER	CIRCUIT 50 AMP 50HZ 9.2 BTD	1
4-5	038213	BREAKER	CIRCUIT 50 AMP 60HZ 11.0 BTDB	1
4-6	038212	BREAKER	CIRCUIT 40 AMP 50HZ 8.8 BTDB	1
5	043722	BOX	CIRCUIT BREAKER	1
6	039082	GUARD	CIRCUIT BREAKER HANDLE	1
7	031852	SCREW	6-32 X 1/4 SS BINDING HEAD	4
8	032489	NUT	1/4NC BRASS	2
9	032493	LOCKWASHER	1/4 INTERNAL TOOTH BRONZE	2
10	032499	WASHER	FLAT 1/3 BRASS	2
11	038622	CAPSCREW	1/4NC X 1 BRONZE FULLY THREADED	1
12	036737	CONNECTOR	BOX 1-1/4" INSULATED	1
13	031891	SCREW	8-32 X 3/8 SS TRUSS HEAD	6
14	043723	COVER	BREAKER BOZ 43722	1
15-1	038642	WIRE	GEN TO BREAKER BLACK 8GA 60HZ - 10.0 BTDA	1
15-2	042340	WIRE	GEN TO BREAKER BLACK 10GA 50HZ - 7.5 BTDA	1
16-1	038649	WIRE	GEN TO BOX WHITE 6GA 60HZ - 10.0 BTDA	1
16-2	038646	WIRE	GEN TO BREAKER WHITE 10GA 50HZ - 7.5 BTDA	1
17	044243	CAPSCREW	M8 X 14 DIN 933	4
18	031786	LOCKWASHER	M8 DIN 127	4
19	042719	DIAGRAM	AC OUTPUT & CIRCUIT BREAKER WIRING	1

ELECTRICAL SYSTEM



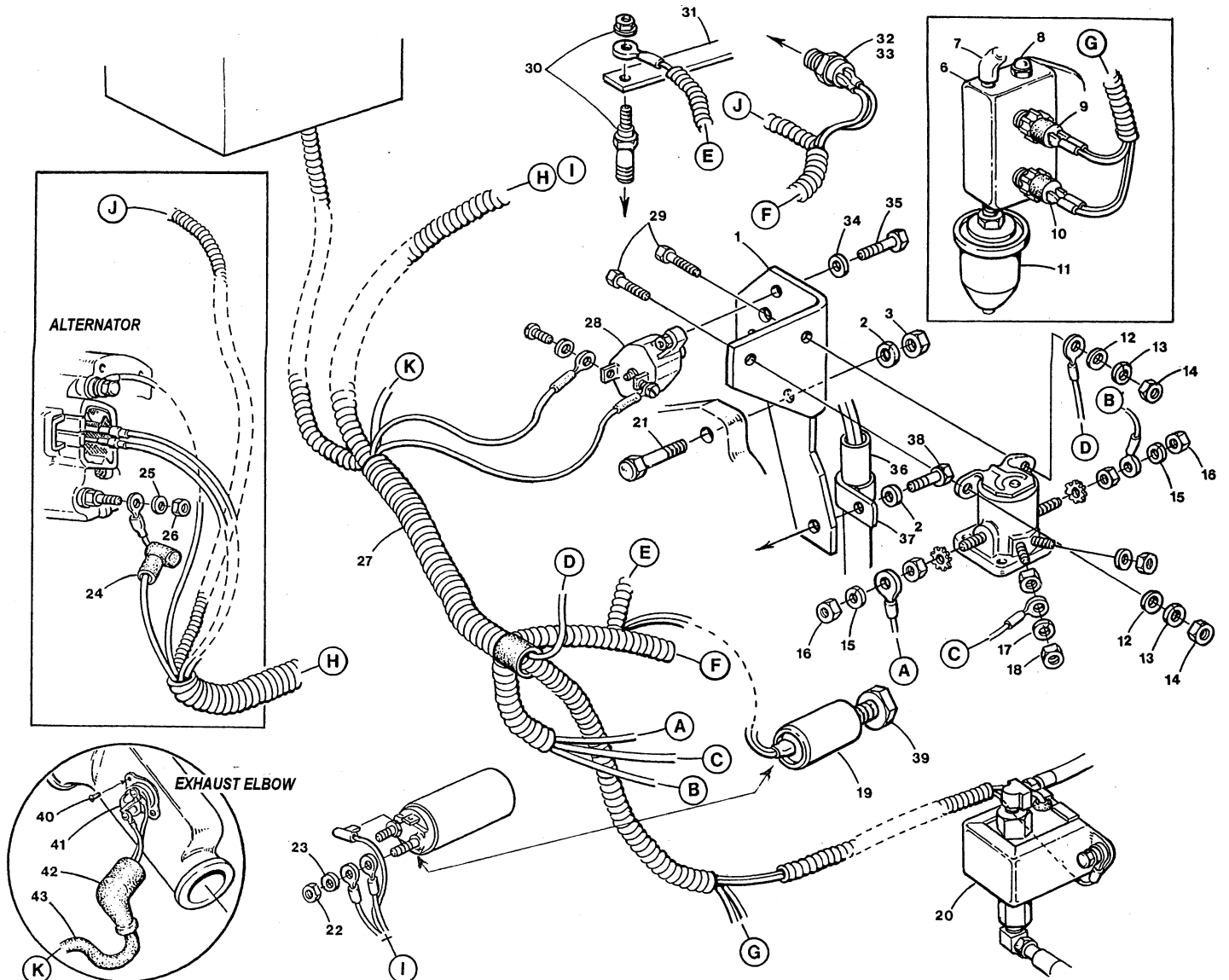
ELECTRICAL SYSTEM

Reference #	Part #	Part Name	Remarks	Quantity
1-1	044364	BRACKET	SOLENOID-BREAKER	1
1-2	044248	BRACKET	SOLENOID-BREAKER - UNGROUNDED UNITS	1
2	019262	LOCKWASHER	M10 DIN 127	3
3	015887	NUT	M10 DIN 934	2
4-1	024639	SOLENOID	PREHEAT 12 VDC	1
4-2	022249	SOLENOID	PREHEAT 24 VDC	1
4-3	011489	SOLENOID	PREHEAT & GROUND 12 VDC UNGROUNDED	2
4-4	022249	SOLENOID	PREHEAT & GROUND 24 VDC UNGROUNDED	2
6	043902	HEADER	OIL PRESSURE SENDER AND SWITCHES	1
7	015122	ELBOW	1/8NPT45 STREET STEEL	1
8	019369	PLUG	1/8NPT HEX HEAD BRASS	2
9	011552	SWITCH	OIL PRESSURE- AUXILIARY N/C	1
10	037323	SWITCH	OIL PRESSURE N/O	1
11-1	024132	SENDER	OIL PRESSURE 100 PSI 12 VDC	1
11-2	042161	SENDER	OIL PRESSURE 80 PSI 24 VDC	1
11-3	011916	SENDER	OIL PRESSURE 150 PSI UNGROUNDED	1
11-4	024975	SENDER	OIL PRESSURE 100 PSI 12 VDC DUAL PANEL	1
11-5	034911	SENDER	OIL PRESSURE 150 PSI UNGROUND DUAL PNL	1
12	031753	WASHER	FLAT 1/4	2
13	031752	LOCKWASHER	1/4	2
14	031750	NUT	1/4NC	2
15	031758	LOCKWASHER	5/16	2
16	031760	NUT	5/16NF	2
17	031849	LOCKWASHER	10 SS	2
18	031847	NUT	10-32 SS HEX	2
19-1	037100	SOLENOID	FUEL SHUTOFF 12 VDC	1
19-2	044225	SOLENOID	FUEL SHUTOFF 24 VDC	1
19-3	044990	ACTUATOR	ELECTRONIC GOVERNOR 12 VDC	1
19-4	044991	ACTUATOR	ELECTRONIC GOVERNOR 24 VDC	1
20-1	039275	PUMP	FUEL LIFT 12 VDC	1
20-2	046631	PUMP	FUEL LIFT 24 VDC	1
21	034470	CAPSCREW	M10 X 45 DIN 931	2
22	018242	NUT	M8 DIN 934	2
23	031786	LOCKWASHER	M8 DIN 127	2
24	035449	BOOT		1
25	031784	WASHER	M6 DIN 125	2
26	015812	NUT	M6 DIN 934	2
27-1	044241	HARNESS	GENSET	1
27-2	044340	HARNESS	GENSET - UNGROUNDED UNITS	1
28-1	024683	BREAKER	CIRCUIT 20 AMP 12 VDC	1
28-2	020946	BREAKER	CIRCUIT 10 AMP 24 VDC	1
29	031503	CAPSCREW	1/4NC X 3/4	2
30-1	024353	GLOWPLUG	12 VDC	3
30-2	034467	GLOWPLUG	24 VDC	3
31	045266	STRAP	GLOWPLUG CONNECTING	1
32	039550	SWITCH	WATER TEMPERATURE N/C	1

(CONTINUED)

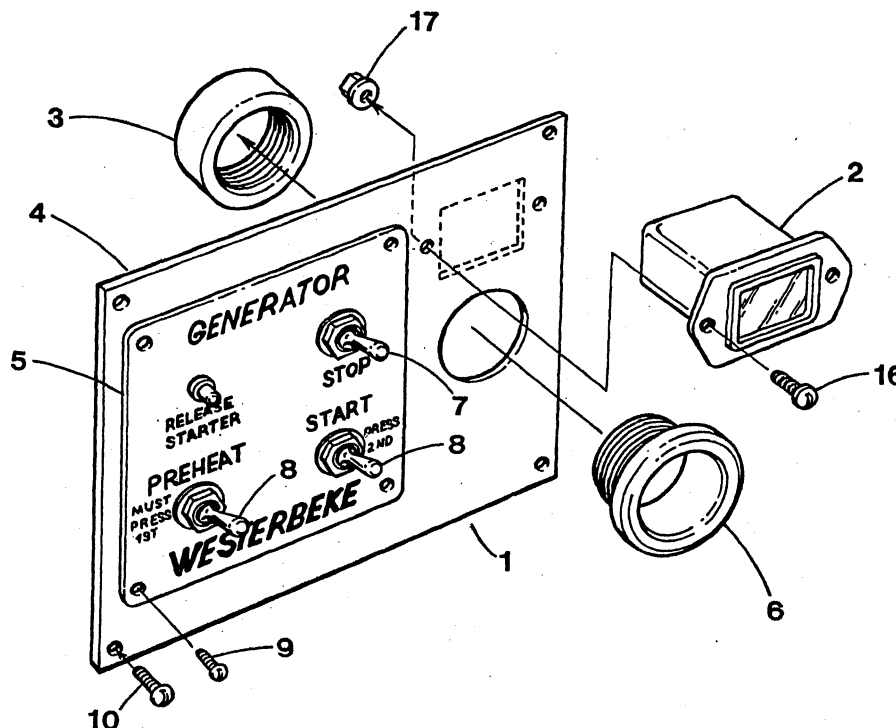
ELECTRICAL SYSTEM

Reference #	Part #	Part Name	Remarks	Quantity
33	024602	ADAPTER	M16 X 1.5 TO 1/8NPT	1
34	031843	WASHER	FLAT 8 SS	2
35	043480	SCREW	8-32 X 7/8 SS HEX WASHER HEAD	2
36-1	046739	MODULE	CURRENT TIMING 9-36 VDC	1
36-2	046741	MODULE	CURRENT TIMING UNGROUNDED UNITS	1
37	013737	CLAMP	CABLE	1
38	034589	CAPSCREW	M10 X 30 DIN 933	1
39	034669	NUT	M30	1
40	035711	SCREW	6-20 X 1/4 TAPPING	2
41	032923	SWITCH	EXHAUST TEMPERATURE	1
42	035754	BOOT	EXHAUST TEMPERATURE SWITCH	1
43	033213	TUBING	TEFLON-PROTECT WIRE - INCHES REQUIRED	12
44-1	035109	SENDER	WATER TEMPERATURE 1/8NPT 12 VDC	1
44-2	011915	SENDER	WATER TEMPERATURE 1/4NPT UNGROUNDED	1
44-3	022124	SENDER	WATER TEMPERATURE DUAL PANEL	1
44-4	034912	SENDER	WATER TEMPERATURE DUAL PANEL UNGRND	1

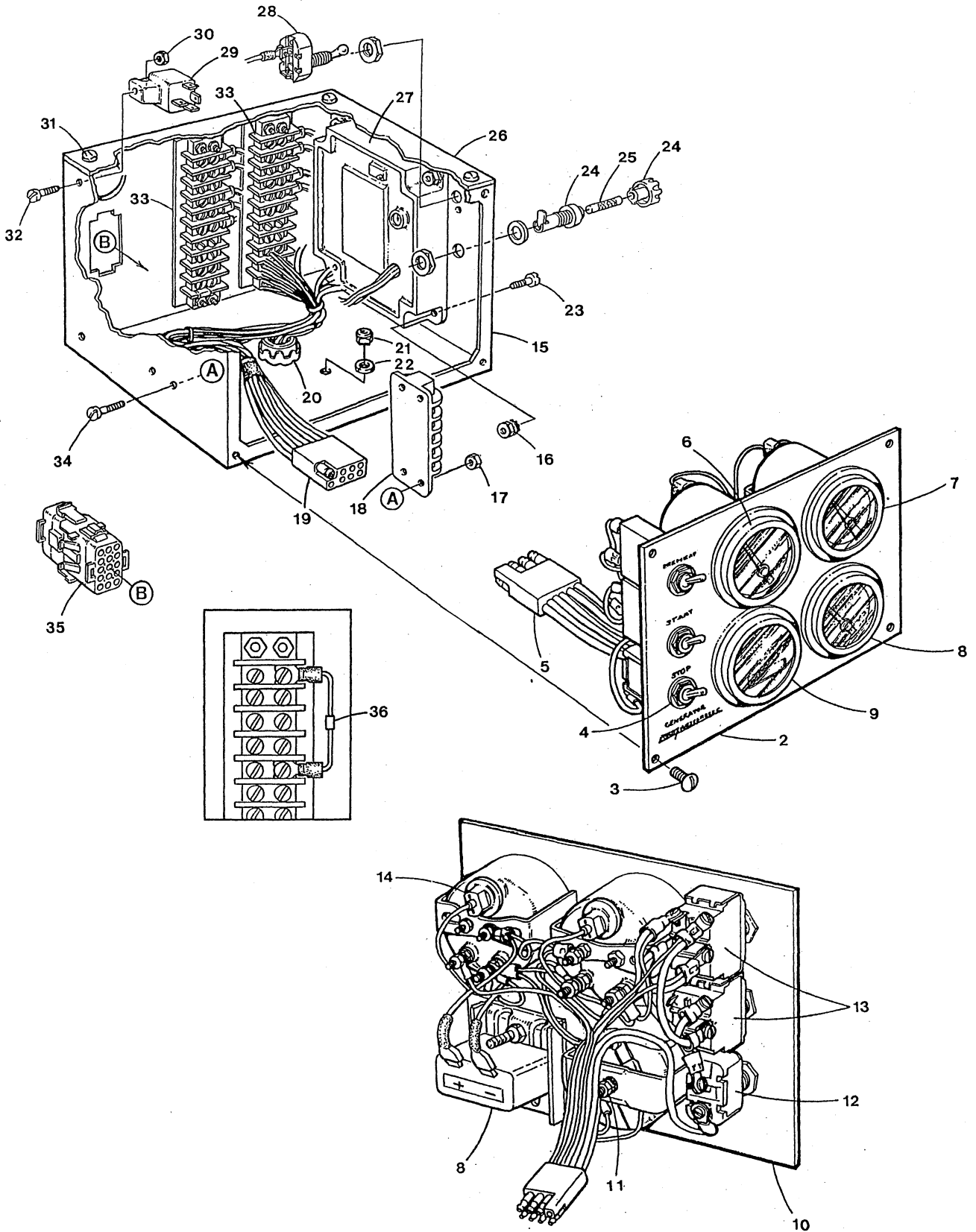


GENERATOR START/STOP PANELS

Reference #	Part #	Part Name	Remarks	Quantity
1-1	042448	PANEL	START-STOP 12 VDC 8 PIN PLUG	1
1-2	044826	PANEL	START-STOP 12 VDC W/HRMETER 8 PIN PLUG	1
1-3	042620	PANEL	START-STOP 24 VDC W/HRMETER 8 PIN PLUG	1
2	042388	HOURMETER	12/24 VDC	1
3	011812	BUSHING	INSULATED FEMALE 1.25	1
4-1	043950	PLATE	PANEL BOX RED	1
4-2	043929	PLATE	PANEL BOX WHITE	1
4-3	035303	COVER	RED, w/ BUSHING #6	1
4-4	041519	COVER	WHITE, w/ BUSHING #6	1
5-1	024943	PANEL	START-STOP CONTROL 12 VDC NO HARNESS	1
5-2	044336	PANEL	START-STOP CONTROL 12 VDC 15 PIN PLUG	1
5-3	044586	PANEL	START-STOP CONTROL 24 VDC 15 PIN PLUG	1
6	011811	BUSHING	INSULATED MALE 1.25	2
7	024731	SWITCH	STOP	4
8	024732	SWITCH	PREHEAT AND START	4
9	039004	SCREW	6-32 X 1/4 SS FLAT HEAD BLACK	1
10	034421	SCREW	8-32 X 3/8 SS TRUSS HEAD BLACK	1
11	032975	LED		1
12-1	013723	RESISTOR	12 VDC	1
12-2	042621	RESISTOR	24 VDC	1
13	013724	DIODE		1
14-1	042447	CABLE	8 PIN FOR PANEL 42448 - 42620 - 44826	1
14-2	043913	CABLE	15 PIN FOR PANEL 44336 - 44586	1
15-1	038220	DIAGRAM	WIRING 24943 START-STOP PANEL	2
15-2	044442	DIAGRAM	WIRING START-STOP PANELS 8 PIN PLUG	2
16	031853	SCREW	6-32 X 3/8 SS BINDING HEAD	
17	050234	NUT	6-32 KEPS	



CONTROL PANEL - ELECTRONIC GOVERNOR



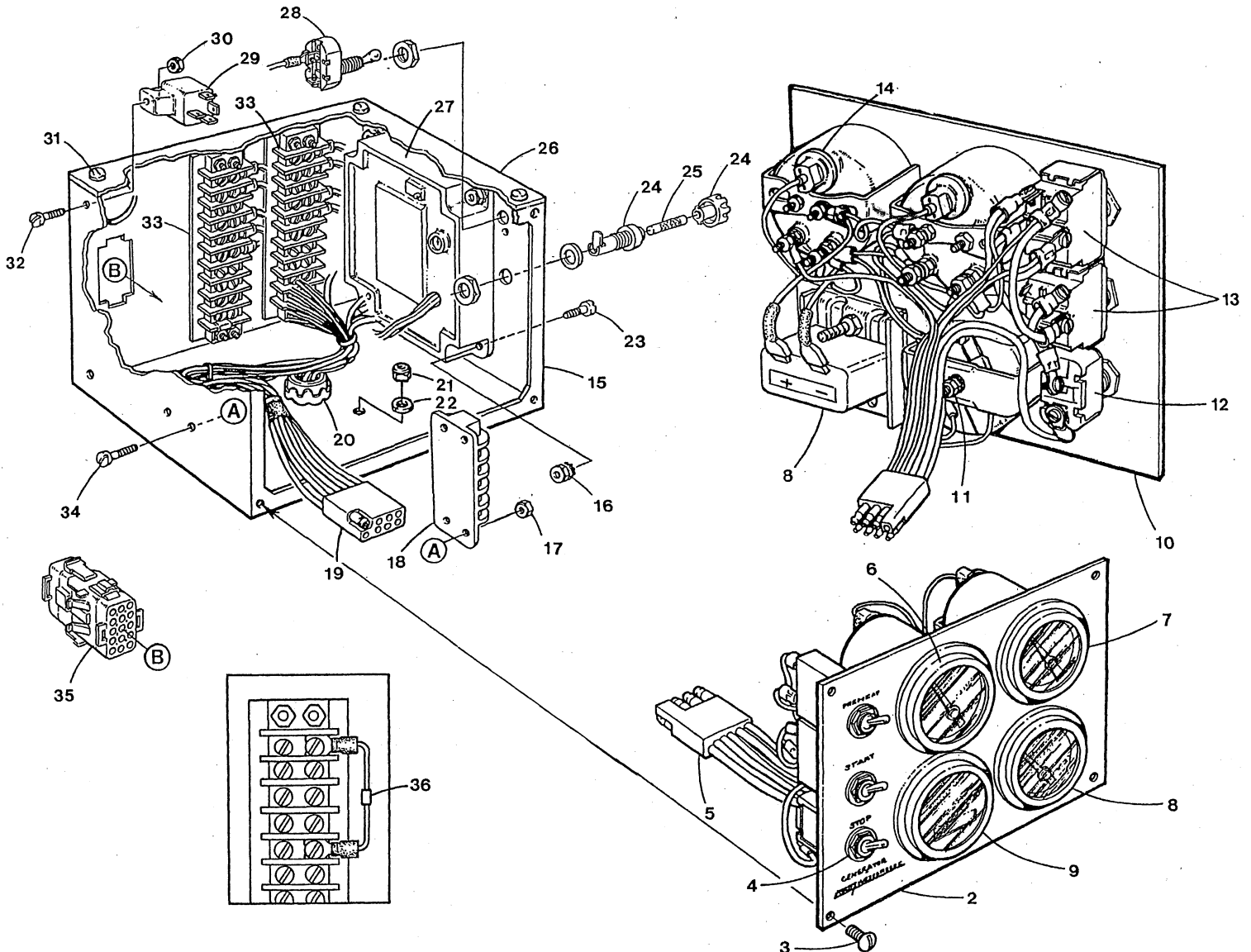
CONTROL PANEL - ELECTRONIC GOVERNOR

Reference #	Part #	Part Name	Remarks	Quantity
1-1	044925	PANEL	BOX & HARNESS 12 VDC ELECTRONIC GOVERN	1
1-2	044926	PANEL	BOX & HARNESS 24 VDC ELECTRONIC GOVERN	1
1-3	044966	PANEL	BOX & HARNESS 12 VDC ELECT. GOV. UNGRND	1
1-4	044967	PANEL	BOX & HARNESS 24 VDC ELECT. GOV. UNGRND	1
2-1	036539	PANEL	GENSET CONTROL 12 VDC	1
2-2	046775	PANEL	GENSET CONTROL 12 VDC UNGROUNDED	1
2-3	042162	PANEL	GENSET CONTROL 24 VDC	1
2-4	046776	PANEL	GENSET CONTROL 24 VDC UNGROUNDED	1
2-5	044246	PANEL	REMOTE CONTROL 12 VDC W/15 PIN PLUG	1
2-6	046887	PANEL	REMOTE CONTRL 12 VDC UNG W/15 PIN PLUG	1
2-7	046888	PANEL	REMOTE CONTRL 24 VDC UNG W/15 PIN PLUG	1
3	034421	SCREW	8-32 X 3/8 SS TRUSS HEAD BLACK	4
4	031999	RING	TOGGLE SWITCH MOUNT LOCKING	3
5-1	036538	HARNESS	GENSET PANEL	1
5-2	046885	HARNESS	GENSET PANEL UNGROUNDED	1
5-3	044252	HARNESS	GENSET PANEL W/15 PIN CONNECTOR	1
5-4	046886	HARNESS	GENSET PANEL UNG W/15 PIN CONNECTOR	1
6-1	037601	METER	WATER TEMPERATURE 12 VDC	1
6-2	042158	METER	WATER TEMPERATURE 24 VDC	1
6-3	046754	METER	WATER TEMPERATURE 12/24 VDC UNGROUND	1
7-1	037603	METER	OIL PRESSURE 12 VDC	1
7-2	042157	METER	OIL PRESSURE 24 VDC 80 PSI	1
7-3	046674	METER	OIL PRESSURE 12/24 VDC UNGROUNDED	1
8-1	037605	VOLTMETER	12 VDC	1
8-2	042156	VOLTMETER	24 VDC	1
8-3	046755	VOLTMETER	12 VDC UNGROUNDED	1
8-4	046675	VOLTMETER	24 VDC UNGROUNDED	1
9-1	036192	HOURLMETER	12 VDC	1
9-2	042159	HOURLMETER	24 VDC	1
9-3	046676	HOURLMETER	12/24 VDC UNGROUNDED	1
10	034485	PLATE	PANEL	1
11	031904	NUT	10-24 KEPS SS	1
12	024731	SWITCH	STOP	1
13	024732	SWITCH	PREHEAT AND START	2
14-1	042893	LAMP	INSTRUMENT 12 VDC INCLUDING HOLDER	3
14-2	035825	WIRE	POWER TO METER LAMPS	3
14-3	045094	LAMP KIT	24 VDC	1
15	043840	BOX	GENSET CONTROL PANEL	1
16	200125	NUT	10-32 KEPS	4
17	050234	NUT	6-32 KEPS	4
18-1	050201	BLOCK	TERMINAL 6 POSITION	1
18-2	050374	MARKER	TERMINAL BLOCK	1
19	043737	HARNESS	GENSET PANEL BOX	1
20	023937	BUSHING		1
21	015812	NUT	M6 DIN 934	4
22	031783	LOCKWASHER	M6 DIN 127	4
23	031872	SCREW	10-32 X 1/2 SS BINDING HEAD	4
24	043747	HOLDER	FUSE	1
25	033769	FUSE	8 AMP	1
26	040185	COVER	PANEL BOX	1
27-1	049608	CONTROLLER	GOVERNOR 12 - 24 VDC	1
28	033259	SWITCH	EMERGENCY STOP	1
29-1	037833	RELAY	12 VDC	2
29-2	037833	RELAY	12 VDC UNG	3

(CONTINUED)

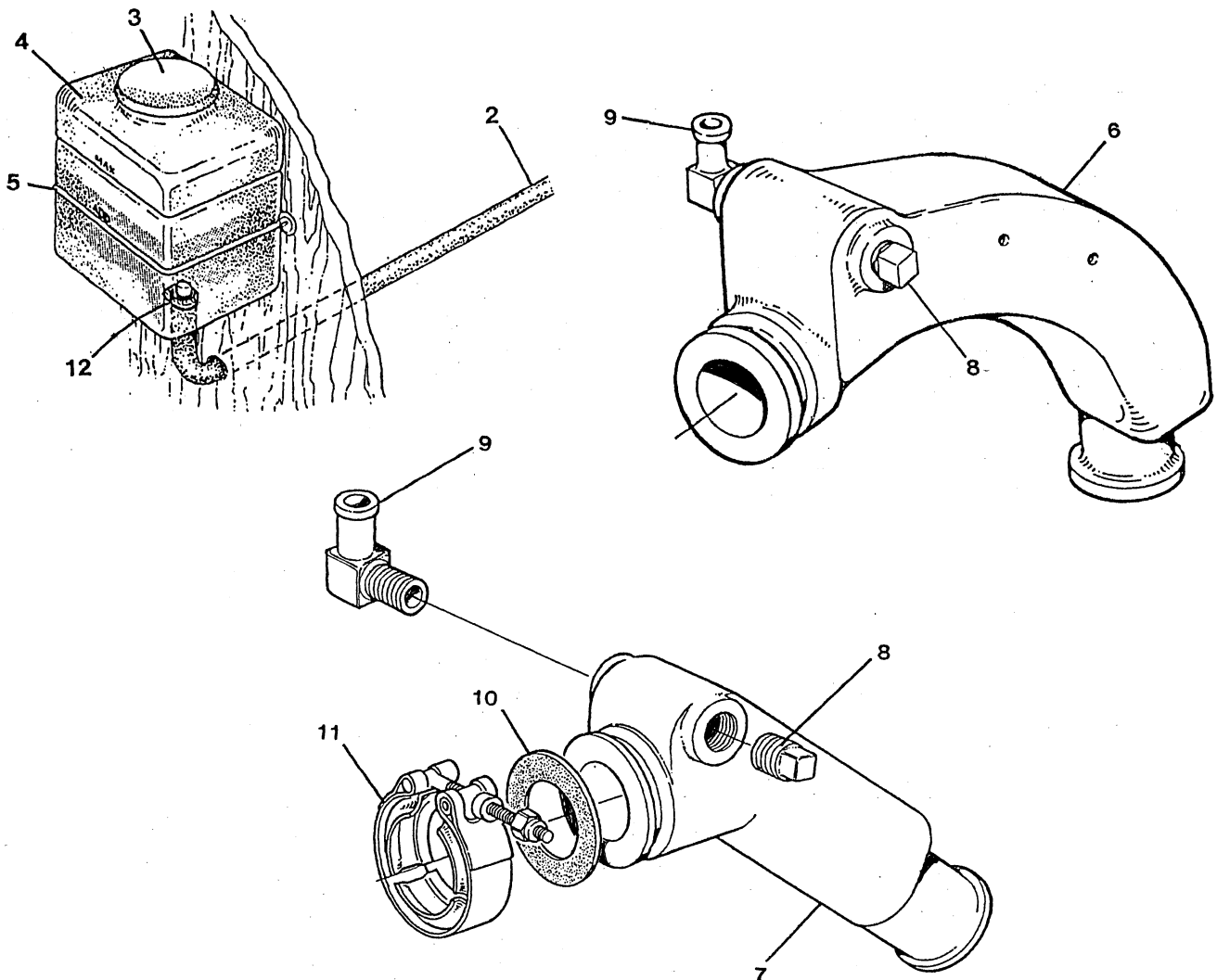
CONTROL PANEL - ELECTRONIC GOVERNOR

Reference #	Part #	Part Name	Remarks	Quantity
29-3	039858	RELAY	24 VDC	2
29-4	039858	RELAY	24 VDC UNG	3
30	050234	NUT	6-32 KEPS	2
31	031891	SCREW	8-32 X 3/8 TRUSS HEAD SS	4
32	031872	SCREW	10-32 X 1/2 SS BINDING HEAD	2
33-1	039928	BLOCK	TERMINAL 10 POSITION	2
33-2	039929	MARKER	TERMINAL BLOCK	2
33-3	015222	SCREW PLATE	TERMINAL BLOCK	4
33-4	015223	JUMPER	TERMINAL BLOCK	3
33-5	031855	SCREW	6-32 X 5/8 SS BINDING HEAD	7
33-6	031857	SCREW	6-32 X 7/8 SS BINDING HEAD	1
33-7	050234	NUT	6-32 KEPS	8
34	031855	SCREW	6-32 X 5/8 SS BINDING HEAD	2
35-1	043818	CONNECTOR	MALE JUMPER-IF REMOTE PNL NOT INSTALLED	1
35-2	043746	CONNECTOR	ASSEMBLY FEMALE FOR REMOTE PANEL	1
36	041081	DIODE	BLOCKING	1
37	039461	RESISTOR	GAUGE 24 TO 12 VDC FOR UNGROUND PANEL	2

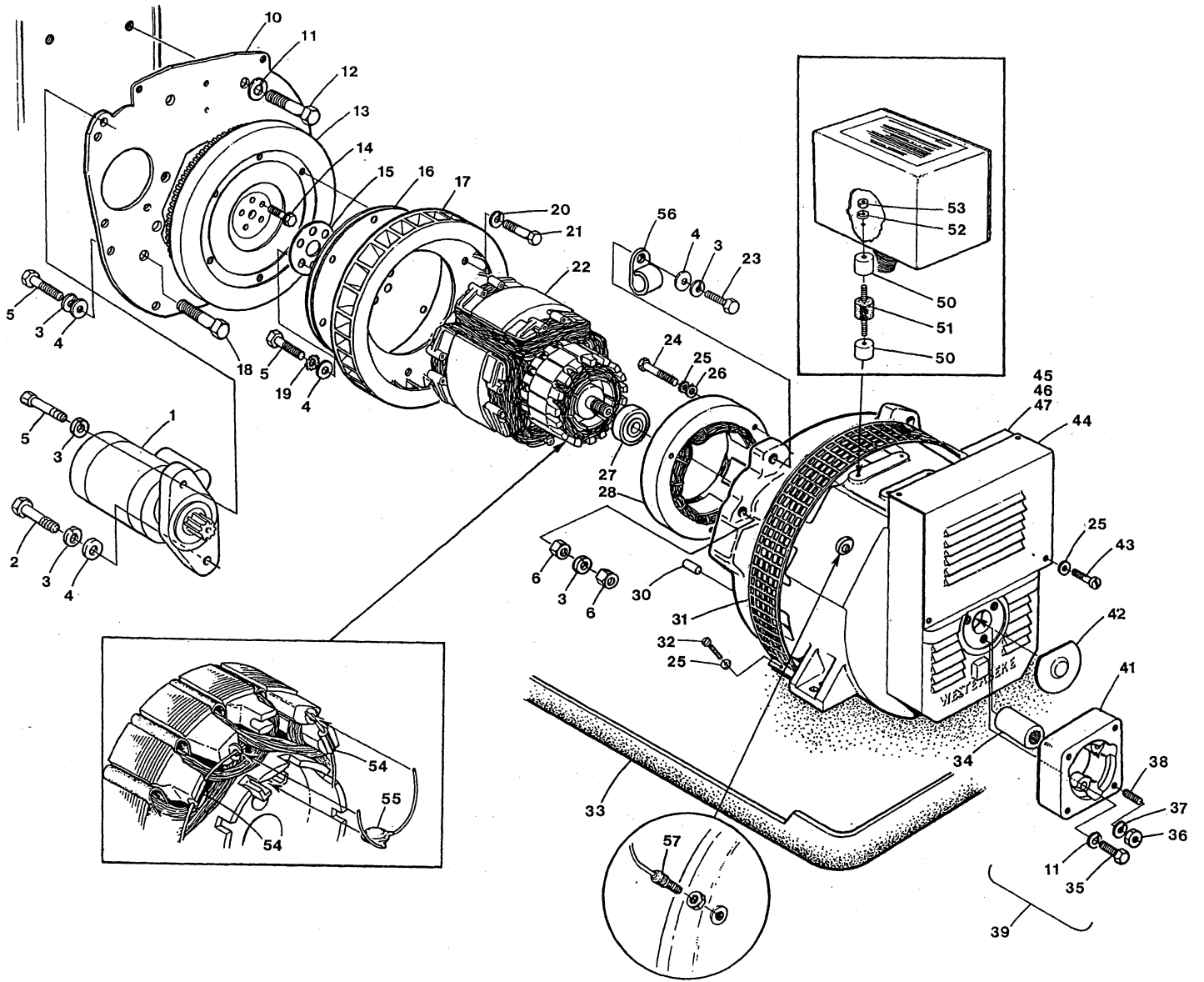


RECOVERY COOLANT TANK & EXHAUST ELBOWS

Reference #	Part #	Part Name	Remarks	Quantity
1	024977	TANK KIT	COOLANT RECOVERY INCL. REF#S 1-5	1
2	024637	TUBING	MANIFOLD TO TANK - INCHES REQUIRED	72
3	024858	CAP	COOLANT RECOVERY TANK	1
4	024704	TANK	COOLANT RECOVERY	1
5	024786	STRAP	COOLANT RECOVERY TANK	1
6	037401	ELBOW KIT	WATER INJECTED 90 DEG INCL REF#S 8-11	1
7	037402	ELBOW KIT	WATER INJECTED 45 DEG INCL REF#S 8-11	1
8-1	035747	PLUG	1/2NPT SQ HD BRASS - 45 DEG ELBOW	1
8-2	036849	PLUG	3/4NPT SQ HD BRASS - 90 DEG ELBOW	1
8-3	046777	PLUG	1/2NPT SOCKET BRASS - GENSET	1
9-1	036616	ELBOW	1/2NPT TO 1" HOSE - 45 DEG ELBOW	1
9-2	036614	ELBOW	3/8NPT TO 1" HOSE - 90 DEG ELBOW	1
10	036425	GASKET	EXHAUST ELBOW	1
11	036541	CLAMP	EXHAUST ELBOW	1
12	024906	CLAMP	HOSE 04 MINI	2
13-1	036660	ADAPTER	V-CLAMP TO 1.5NPT MALE - NOT SHOWN	1
13-2	037230	ADAPTER	V-CLAMP TO 1.5NPT FEMALE - NOT SHOWN	1



GENERATOR BACK END



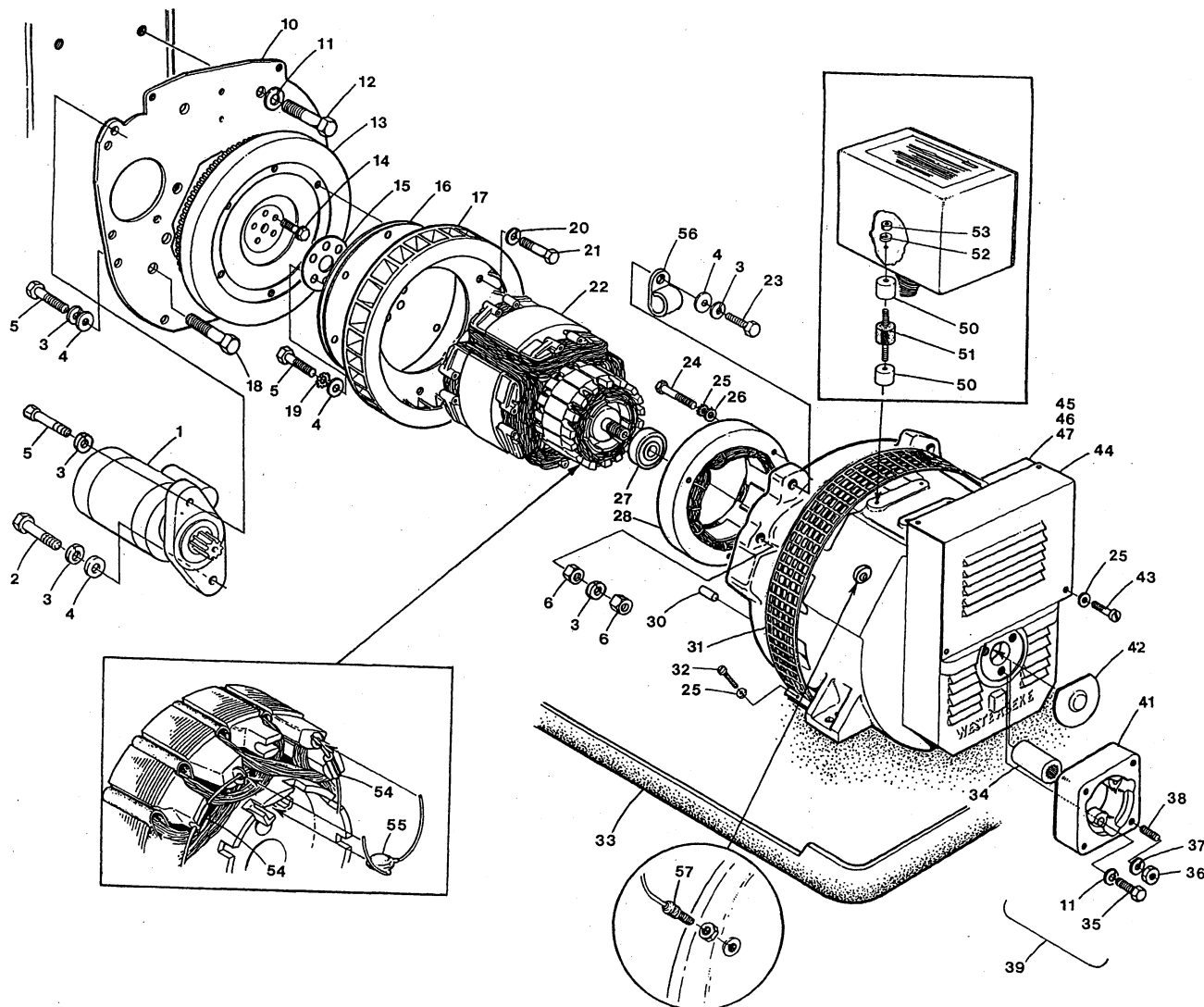
BACK END

Reference #	Part #	Part Name	Remarks	Quantity
1-1	030593	MOTOR	STARTER 12 VDC	1
1-2	042111	MOTOR	STATER 24 VDC	1
2	034589	CAPSCREW	M10 X 30 DIN 933	1
3	019262	LOCKWASHER	M10 DIN 127	14
4	031789	WASHER	M10 DIN 125	9
5	013629	CAPSCREW	M10 X 25 DIN 933	11
6	015887	NUT	M10 DIN 034	2
10	043409	PLATE	BACK	1
11	031792	LOCKWASHER	M12 DIN 127	11
12	031834	CAPSCREW	M12 X 1.25 X 30 DIN 961	8
13	043666	FLYWHEEL	WITH RING GEAR 30230	1
14	033279	BOLT	FLYWHEEL	4
15	035928	PLATE	DRIVE DISC TO ARMATURE	1
16	035927	PLATE	DISC DRIVE	3
17	035929	FAN		1
18	024959	CAPSCREW	M12 X 1.25 X 25 DIN 961	2
19	031915	LOCKWASHER	M10 DIN 6797A	6
20	031786	LOCKWASHER	M8 DIN 127	8
21	017196	CAPSCREW	M8 X 20 DIN 933	8
22-2	037464	ARMATURE	1 PHASE	1
22-3	039908	ARMATURE	3 PHASE	1
23	034590	CAPSCREW	M10 X 40 DIN 933	2
24	031919	CAPSCREW	M5 X 35 DIN 912	3
25	031914	LOCKWASHER	M5 DIN 6797A	8
26	031781	WASHER	M5 DIN 125	3
27	037460	BEARING	BALL - 10.0	1
28	037467	STATOR	EXCITER 1 PHASE	1
28-2	039912	STATOR	EXCITER 3 PHASE	1
30	019039	DOWEL		3
31	035935	GUARD	AIR	1
32	031920	SCREW	M5 X 20 DIN 84A	1
33	036376	DRIPTRAY		1
34	037188	DRIVE	PTO SAE-B SPLINE	1
35	013589	CAPSCREW	M12 X 40 DIN 933	3
36	031774	NUT	1/2NC	4
37	031776	LOCKWASHER	1/2	4
38	034867	STUD	1/2NC X 2-3/16	4
39	037134	KIT	PTO INCL REF#S 11, 34 THRU 41	1
40	037197	DRAWING	PTO INSTALLATION	1
41	034738	ADAPTER	PTO	1

(CONTINUED)

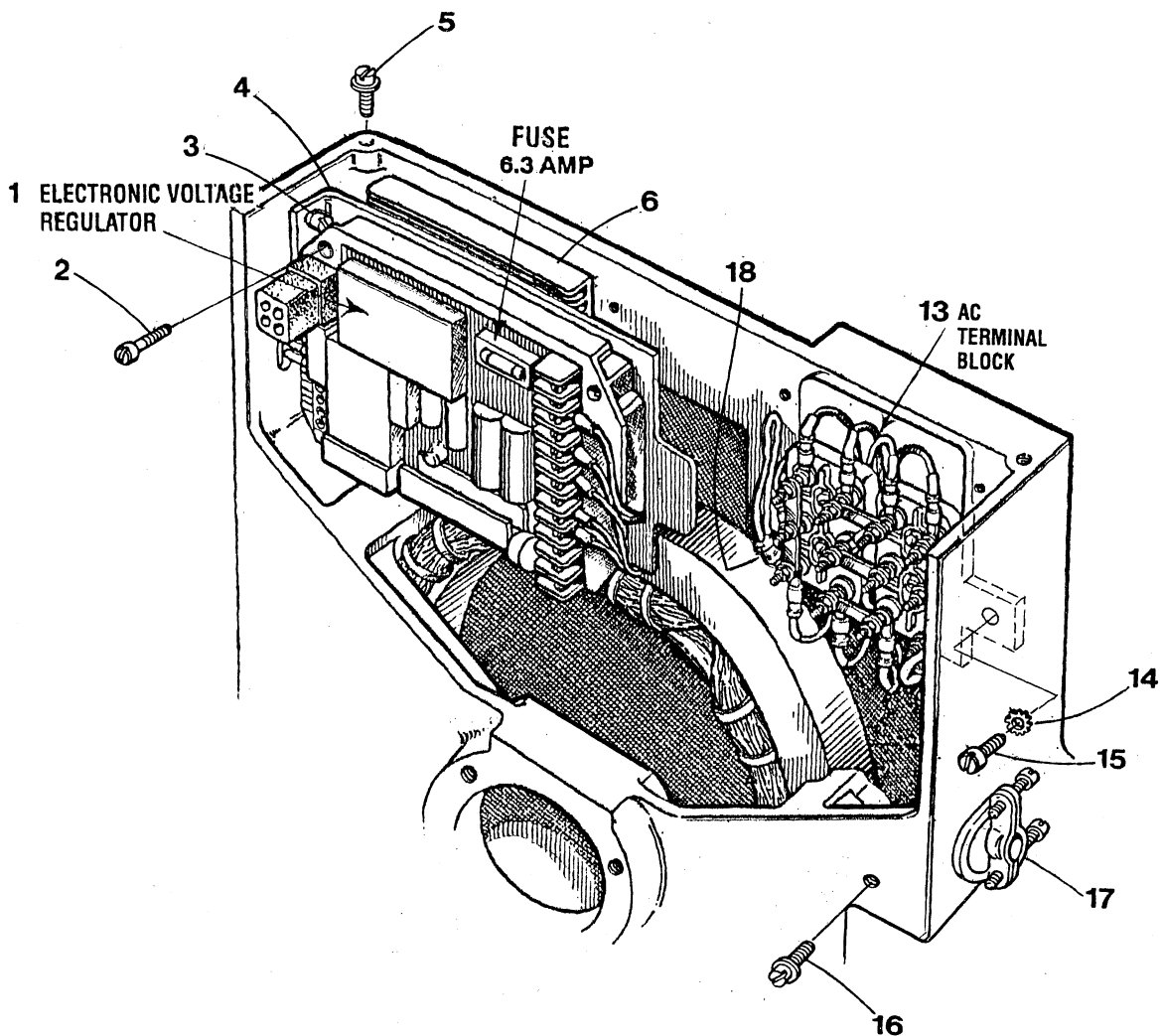
BACK END

Reference #	Part #	Part Name	Remarks	Quantity
42	036701	COVER	PTO INTERFACE	1
43	031918	SCREW	M5 X 10 DIN 84A	4
46-1	037437	GENERATOR	1 PHASE	1
46-2	037465	STATOR	INCLUDING HOUSING 1 PHASE	1
46-3	037466	STATOR	1 PHASE	1
47-1	039913	GENERATOR	3 PHASE	1
47-2	039911	STATOR	INCLUDING HOUSING 3 PHASE	1
47-3	039910	STATOR	3 PHASE	1
49	046306	GENERATOR	1 PHASE FOR ELECT. GOVERNOR	1
50	024836	SPACER		8
51	034731	ISOLATOR	PANEL MOUNT	4
52	031783	LOCKWASHER	M6 DIN 127	4
53	015812	NUT	M6 DIN 934	4
54	035931	DIODE		6
55	035943	THERMISTER		1
56	013760	CLAMP		1
57	044989	SENSOR	MAGNETIC 3/8NF FOR ELECT. GOVERNOR	1



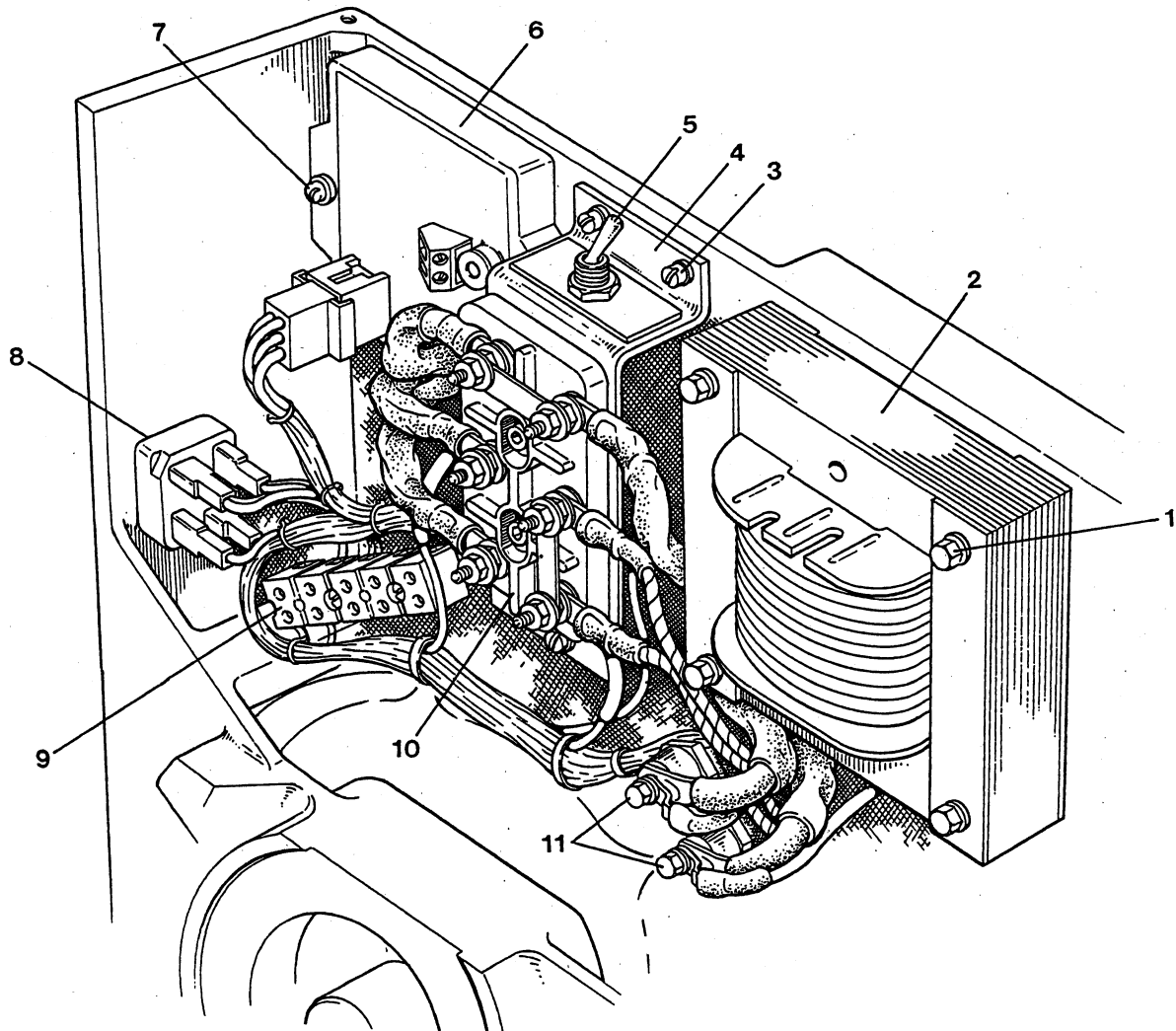
AC OUTPUT & REGULATOR - THREE PHASE

Reference #	Part #	Part Name	Remarks	Quantity
1	038468	REGULATOR	ELECTRONIC VOLTAGE	1
2	031934	SCREW	M4 X 20,DIN 84A	2
3	031918	SCREW	M5 X 10 DIN 84A	2
4	038470	BRACKET	REGULATOR	1
5	031918	SCREW	M 5 X 10 DIN 84A	2
6	038469	CHARGER	BATTERY	1
13-1	038464	BLOCK	TERMINAL AC OUTPUT	1
13-2	038348	NUT	M5 BRASS	AR
13-3	038349	BAR	BUSS	AR
14	031914	LOCKWASHER	M5 DIN 6797A	2
15	031920	SCREW	M5 X 20 DIN 84A	2
16	015816	CAPSCREW	M6 X 10 DIN 933	2
17	036737	CONNECTOR	BOX 1-1/4" INSULATED	1
18	038676	LABEL	AC OUTPUT CONNECTIONS (NOT SHOWN)	1
19	039341	BRACKET	AC TERMINAL BLOCK (NOT SHOWN)	1



AC OUTPUT & REGULATOR - SINGLE PHASE

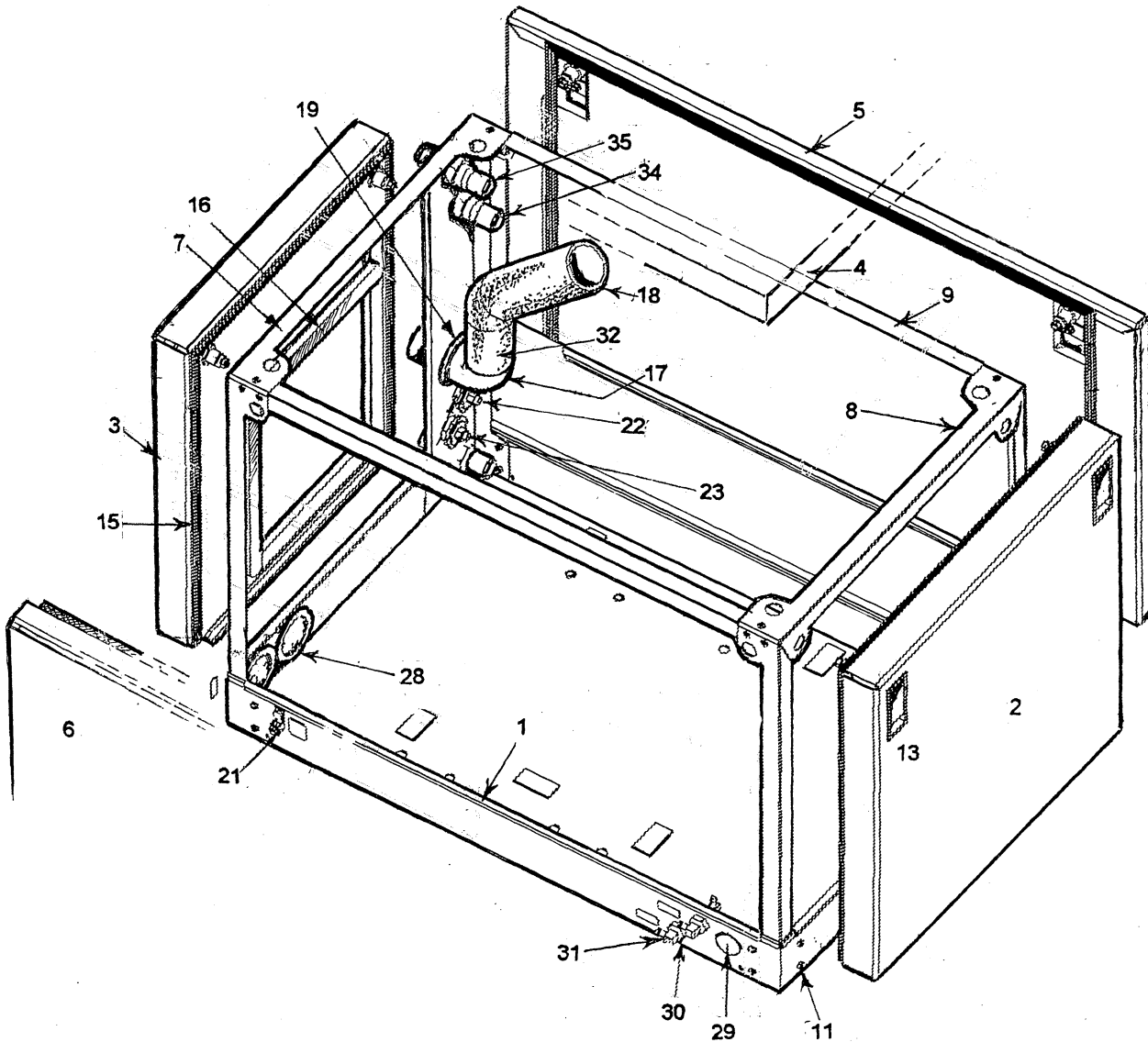
Reference #	Part #	Part Name	Remarks	Quantity
1-1	031916	CAPSCREW	M5 X 50 DIN 933	4
1-2	031914	LOCKWASHER	M5 DIN 6797A	4
1-3	031781	WASHER	M5 DIN 125	4
2	037463	TRANSFORMR	VOLTAGE REGULATION	1
3-1	031918	SCREW	M5 X 10 DIN 84A	2
3-2	031914	LOCKWASHER	M5 DIN 6797A	2
4	038345	BRACKET	SWITCH & AC TERMINAL	1
5	038346	SWITCH	REGULATION SELECTION	1
6	034410	REGULATOR	ELECTRONIC VOLTAGE (OPT)	1
7-1	031917	LOCKWASHER	M4 DIN 6797A EXT	2
7-2	031934	SCREW	M4 X 20 DIN 84A	2
8-1	043649	RECTIFIER	BRIDGE	1
8-2	031931	SCREW	M5 X 16 DIN 84A	1
8-3	031914	LOCKWASHER	M5 DIN 6797A	1
9	038347	BLOCK	TERMINAL 5 POLE	1
10-1	038342	BLOCK	TERMINAL AC OUTPUT	1
10-2	038343	NUT	M6 BRASS	AR
10-3	038344	BAR	BUSS	AR
11	035943	TERMINAL	INSULATED	2
12	036702	LABEL	AC OUTPUT CONNECTIONS (NOT SHOWN)	1



SST SOUND GUARD ASSEMBLY

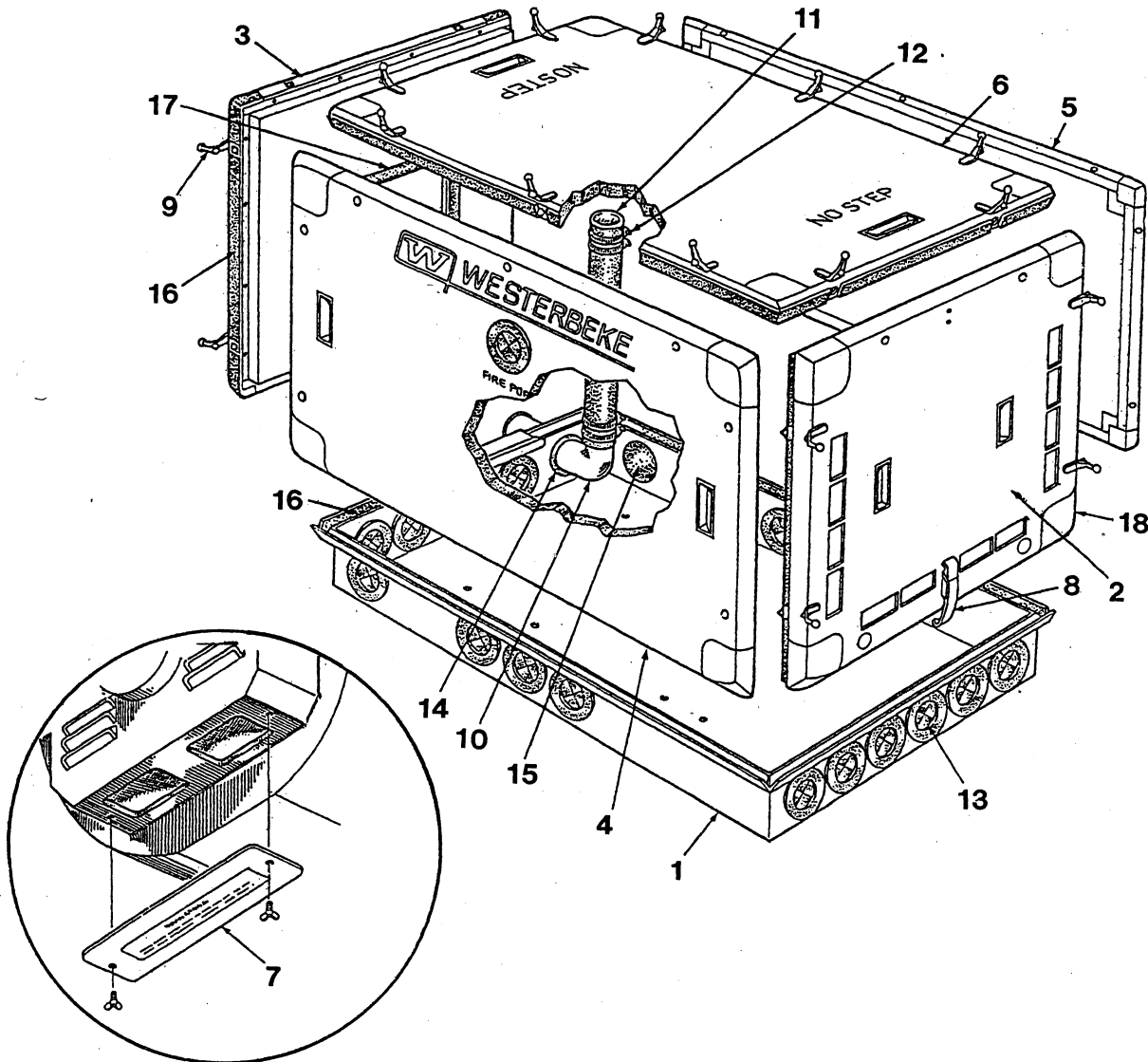
When ordering parts, provide Part #, Name & Quantity for each part needed.

Ref. #	Part #	Part Name	QTY	Ref. #	Part #	Part Name	QTY
1	49492	BASE (INCLUDES CONNECTORS)	1	11411		CLAMP, EXHAUST HOSE	4
2	49491	PANEL, FRONT	1	49543		TERMINAL, GROUND LUG	1
3	49493	PANEL, REAR	1	22	49546	TERMINAL, BOTTERY POS.	2
4	49496	PANEL, TOP	1	23	49544	TERMINAL, BATTERY NEG.	1
5	49494	PANEL, SIDE	1	24	49661	CABLE, GROUND	1
6	49495	PANEL, SERVICE SIDE	1		49659	CABLE, BATTERY POS.	1
7	49504	FRAME, REAR	1		49660	CABLE, BATTERY NEG.	1
8	49503	FRAME, FRONT	1	28	39498	GROMMET, NEOPRENE	2
9	49505	FRAME, SUPPORT	2	29	42806	PLUG, DRAIN HOSE ACCESS	1
	49505	SCREW, 10 - 32 X 1/2 FLAT HEAD	12	30	49545	1/8 NPT BULKHEAD FITTING	2
11	49536	SCREW, 10 - 32 X 3/8 HEX SLOT	16	31	48484	ELBOW, 1/8 NPT X 1/4 HOSE	5
	49540	LATCH ASSEMBLY	8		22927	HOSE, FUEL 1/4 ID	AS REQ.
13	49537	LATCH ASSEMBLY (END PANELS)	4		24906	CLAMP, FUEL HOSE	4
	49547	GASKET, BASE EDGE	AS REQ.	34	48193	1/2 NPT BULKHEAD FITTING	3
15	49548	GASKET, PANEL EDGE	AS REQ.	35	36618	NIPPLE, 1/2 NPT X 1 HOSE	6
16	43574	GASKET, GENERATOR	AS REQ.		11779	HOSE 1" WIRE INSERTED	AS REQ.
	42815	ELBOW, EXHAUST OUTLET 2"	1		11405	CLAMP, RAW WATER HOSE	8
18	49561	HOSE, EXHAUST 2" MOLDED	1		37298	COVER PLATE KIT	1
19	42782	GROMMET, EXHAUST OUTLET	1	36	030904	FOAM ACOUSTIC 1"	SQ/FT



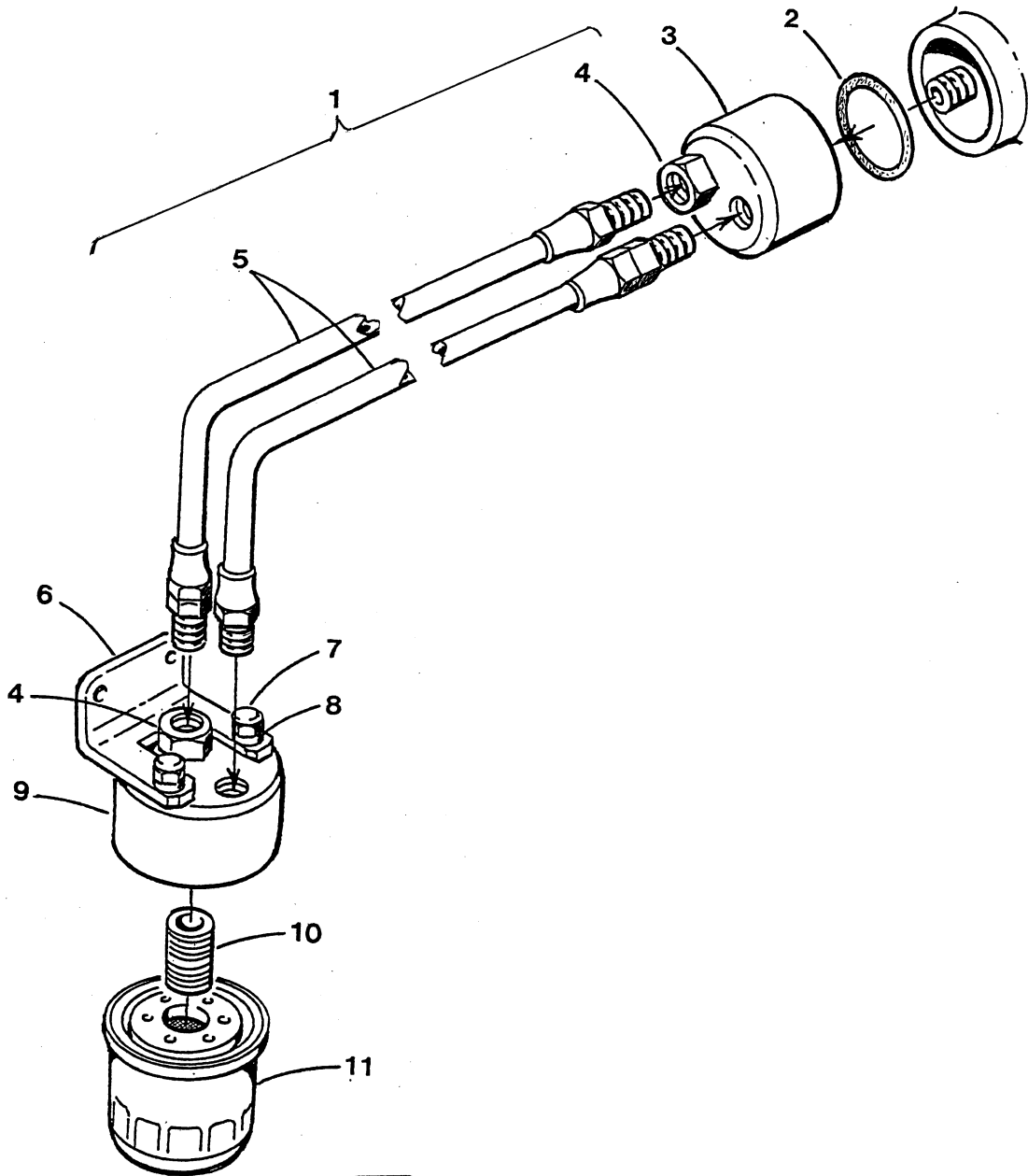
SOUND GUARD ASSEMBLY

Reference #	Part #	Part Name	Remarks	Quantity
1	043384	BASE	SOUND GUARD	1
2	043386	PANEL	SOUND GUARD FRONT	1
3	043387	PANEL	SOUND GUARD REAR	1
4	047653	PANEL	SOUND GUARD SERVICE SIDE	1
5	043383	PANEL	SOUND GUARD SIDE	1
6	043385	PANEL	SOUND GUARD TOP	1
7	037298	COVER KIT	BOTTOM OF GENSET VENT INCL SCREWS	1
8	044080	CLASP		2
9	043775	LATCH	NEOPRENE	18
10	046729	ELBOW	EXHAUST OUTLET 70 DEG	1
11	030901	HOSE	2" WIRE INSERTED - INCHES REQUIRED	19
12	011411	CLAMP	HOSE 32	4
13	039498	BUSHING		16
14	042782	GROMMET	EXHAUST ELBOW	1
15	044065	PLUG	BUTTON	1
16	043248	GASKET	PANEL EDGE SEAL - INCHES REQUIRED	AR
17	043574	GASKET	NEOPRENE - INCHES REQUIRED	AR
18	042638	CORNER	PANEL	20
	030904	————	FOAM ACOUSTIC 1"	SQ/FT



REMOTE LUBE OIL FILTER ASSY

Reference #	Part #	Part Name	Remarks	Quantity
1	040078	FILTER KIT	REMOTE LUBE OIL - INCL. REF #S 2 THRU 12	1
2	302842	O-RING		1
3	040075	ADAPTER	REMOTE OIL FILTER	1
4	013348	CONNECTOR	HOSE	2
5	011925	HOSE	OIL 40-1/4" LG	2
6	040074	BRACKET	REMOTE OIL FILTER	1
7	031503	CAPSCREW	1/4 NC X 3/4	2
8	031752	LOCKWASHER	1/4 SPLIT MED STEEL	2
9	040073	ADAPTER	REMOTE OIL FILTER	1
10	034663	NIPPLE	OIL FILTER TO ADAPTER	1
11	036918	FILTER	LUBE OIL	1
12	040076	DGINSTALL	REMOTE OIL FILTER	1



MISCELLANEOUS & EXTRA AVAILABLE OPTIONS

Reference #	Part #	Part Name	Remarks	Quantity
1	046420	KIT A	SPARE PARTS	1
2	047157	KIT B	SPARE PARTS - EXTENDED CRUISING	1
3	046901	GASKET SFT	COMPLETE	1
4	046900	GASKET SET	UPPER	1
5	045090	DIPSTICK	EXTENSION KIT	1
6	046419	KIT	FUEL HARDWARE	1
7	044085	PULLY KIT	ACCESSORY 3 GROOVE CRANKSHAFT	1
8	044436	MOUNT KIT	FIELD INSTALLATION FOR COMPRESSOR	1
11	015010	STRAINER	RAW WATER	1
12	033327	VALVE	ANTI-SIPHON	1
13-1	013758	PAINT	RED AEROSOL SRAY CAN	1
13-2	042307	PAINT	WHITE AEROSOL SPRAY CAN	1
14	043474	MUFFLER	HYDRO-HUSH FIRBERGLASS	1
15	020654	SPLITTER	ALTERNATOR OUTPUT	1
16-1	030760	HARNESS	15 FT. PANEL EXTENSION 8 PIN	1
16-2	036557	HARNESS	15 FT. PANEL EXTENSION 4 PIN	1
16-3	044347	HARNESS	15 FT. PANEL EXTENSION 15 PIN	1
16-4	044799	HARNESS	30 FT. PANEL EXTENSION 15 PIN	1
16-5	043341	HARNESS	40 FT. PANEL EXTENSION 8 PIN	1
16-6	046116	Y CONNECTOR	1 GUAGE PANEL - 1 START/STOP 15 PIN	1
17	040078	FILTER KIT	REMOTE LUBE OIL	1
18	024177	TANK KIT	REMOTE FRESH WATER EXPANSION	1
19	045100	MANUAL	SERVICE	1
20	045055	KIT	HOSES	1
20-2	044800	MANUAL	OPERATOR	1
21	044246	PANEL KIT	DUAL CONTROL PANELS 15 PIN	1
21-2	044807	DIAGRAM	GENSET WIRING INGROUNDED	1
21-3	044927	DIAGRAM	GENSET WIRING ELECTRONIC GOVERNOR	1
21-4	044970	DIAGRAM	GENSET WIRING UNG ELECTRONIC GOVERNOR	1
22	045109	ADAPTER KIT	15 PIN / 6 WIRE PIGTAIL	1

IMPORTANT

Product Software Disclaimer

Product software of all kinds, such as brochures, drawing, technical data, operator's and workshop manuals, parts lists and parts price lists, and other information, instructions and specifications provided from sources other than Westerbeke, is not within Westerbeke's control and; accordingly, is provided to Westerbeke customers only as a courtesy and service. Westerbeke cannot be responsible for the content of such software, makes no warranties or representations with respect thereto, including the accuracy, timeliness or completeness thereof, and will in no event be liable for any type of damages or injury incurred in connection with, or arising out of, the furnishing or use of such software.

For example, components and subassemblies incorporated in Westerbeke's products and supplied by others (such as engine blocks, fuel systems and components, transmissions, electrical components, pumps and other products) are generally supported by their manufacturers with their own software, and Westerbeke must depend on such software for the design of Westerbeke's own product software. Such software may be outdated and no longer accurate. Routine changes made by Westerbeke's suppliers, of which Westerbeke rarely has notice in advance, are frequently not reflected in the supplier's software until after such changes take place.

Westerbeke customers should also keep in mind the time span between printings of Westerbeke product software and the unavoidable existence of earlier, non-current, Westerbeke software editions in the field. Additionally, most Westerbeke products include customer-requested special features that frequently do not include complete documentation.

In summation, product software provided with Westerbeke products, whether from Westerbeke or other suppliers, must not and cannot be relied upon exclusively as the definitive authority on the respective product. It not only makes good sense but is imperative that appropriate representatives of Westerbeke or the supplier in question be consulted to determine the accuracy and currency of the product software being consulted by the customer.

