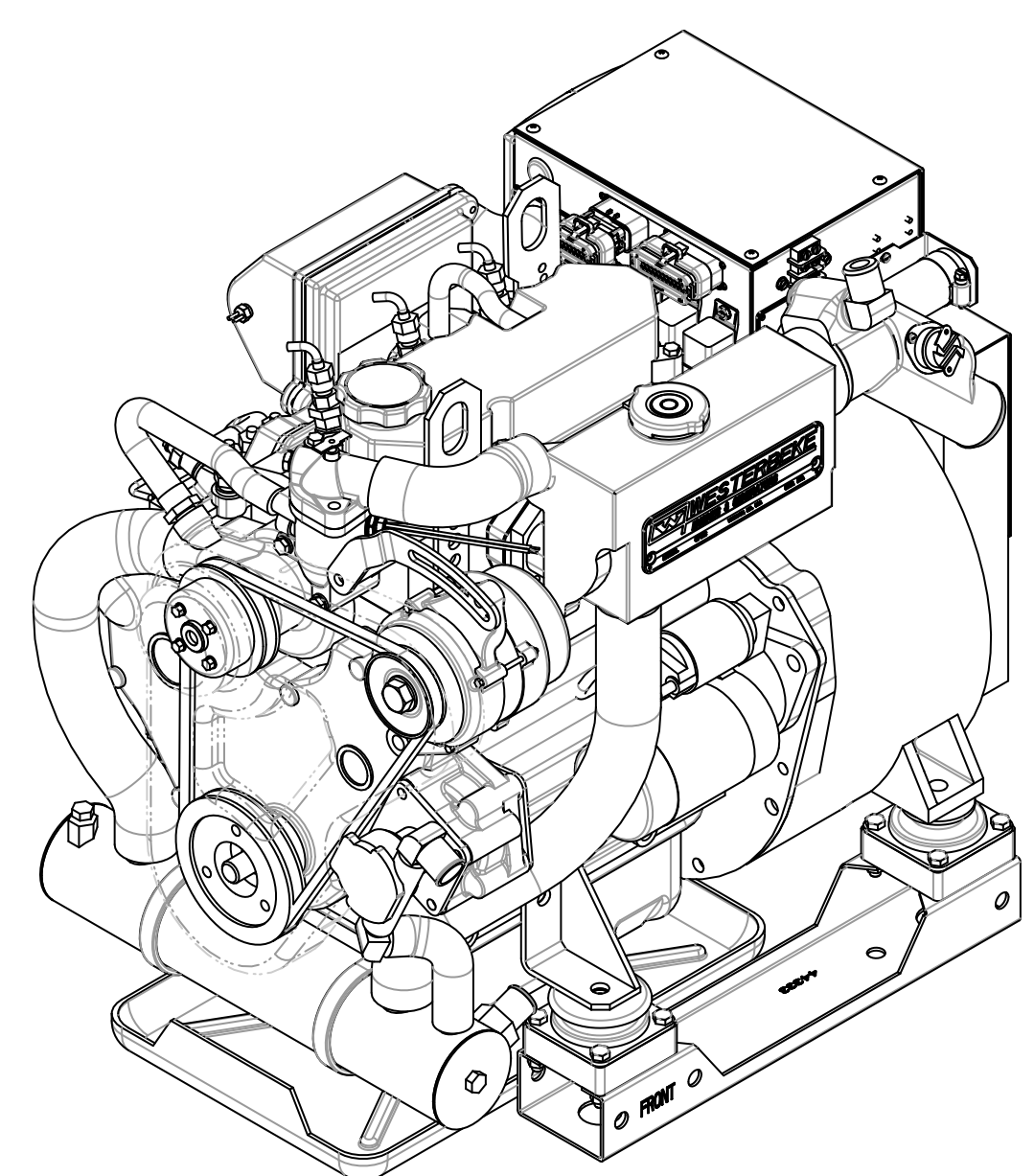
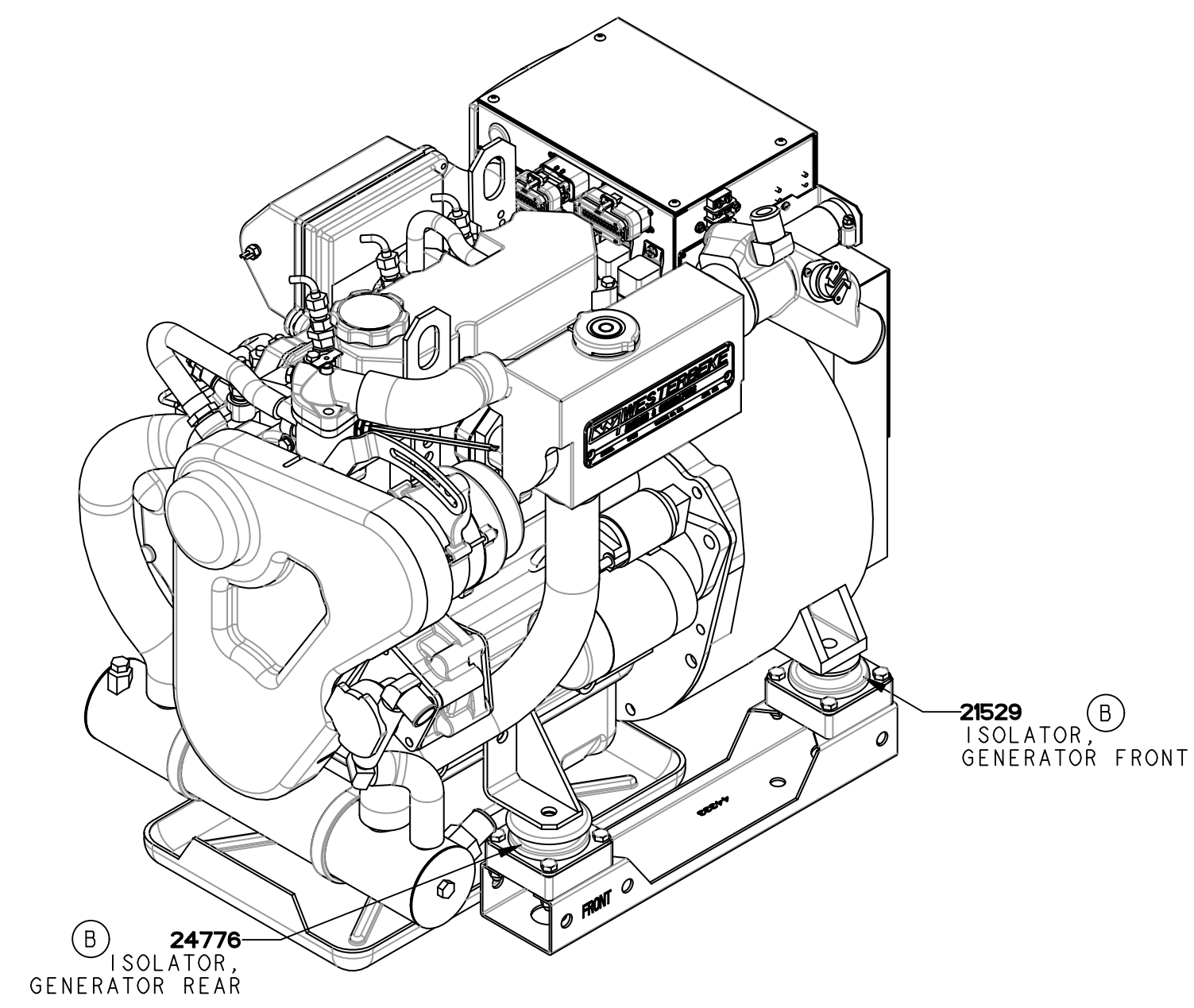
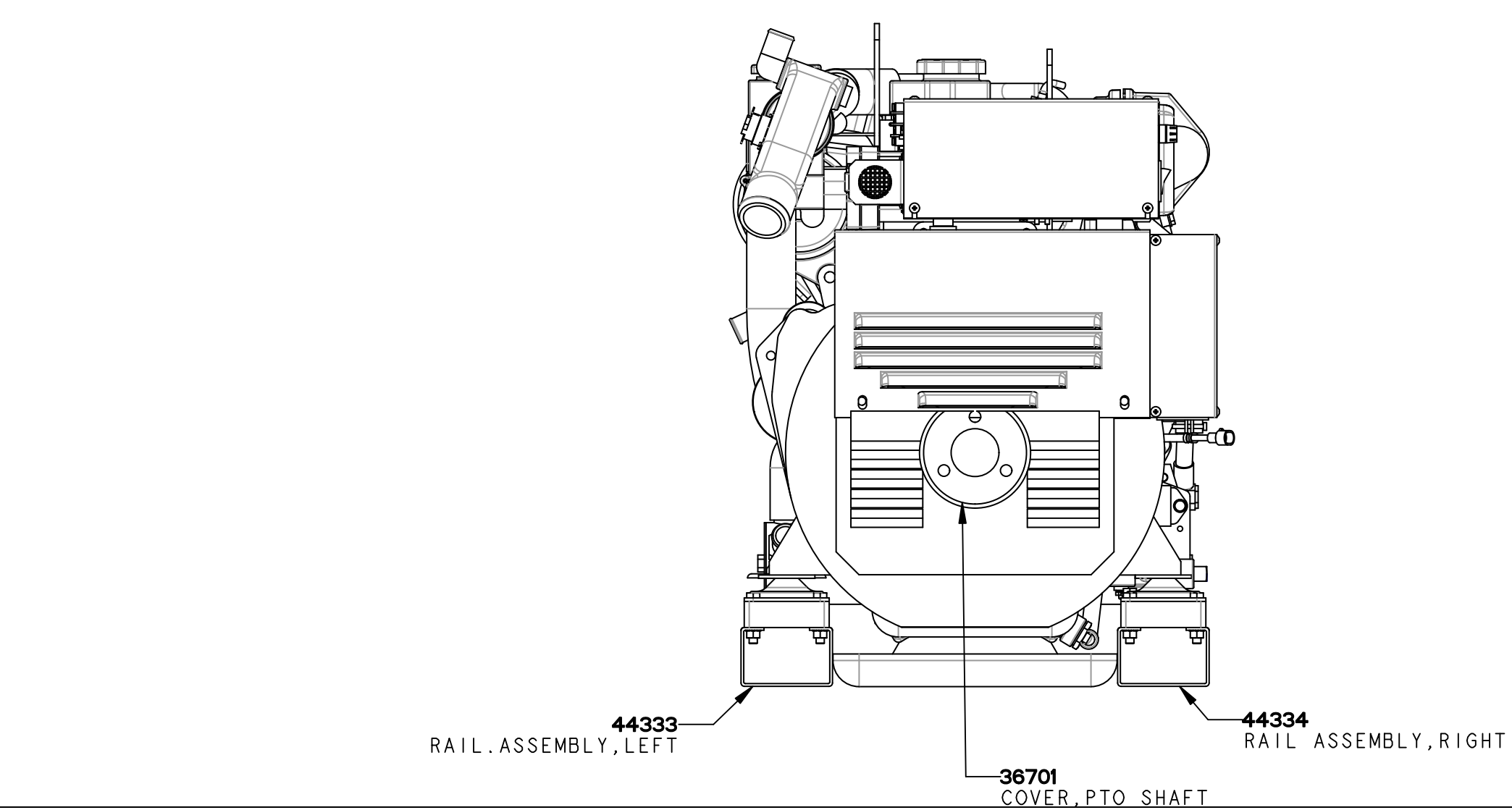
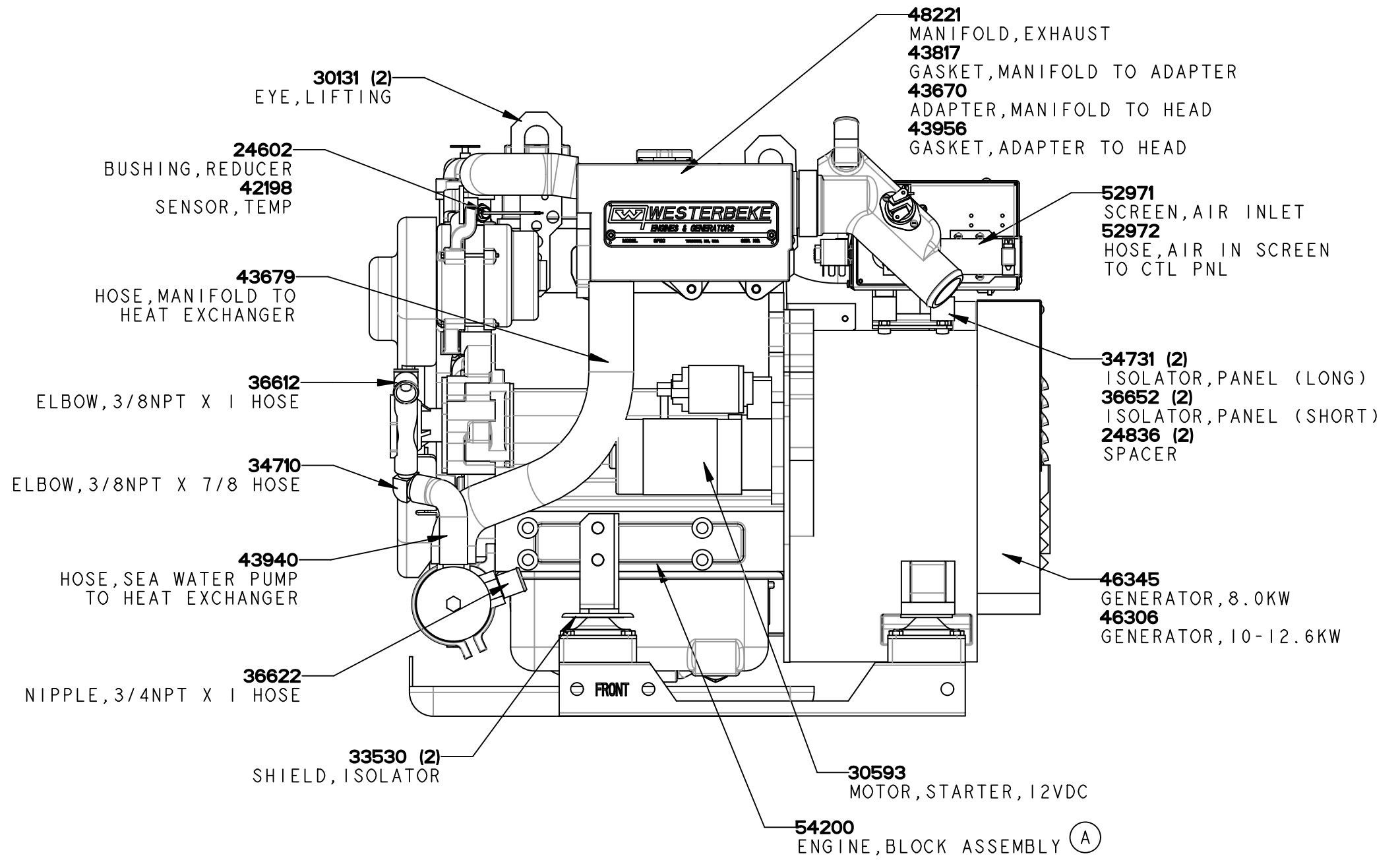
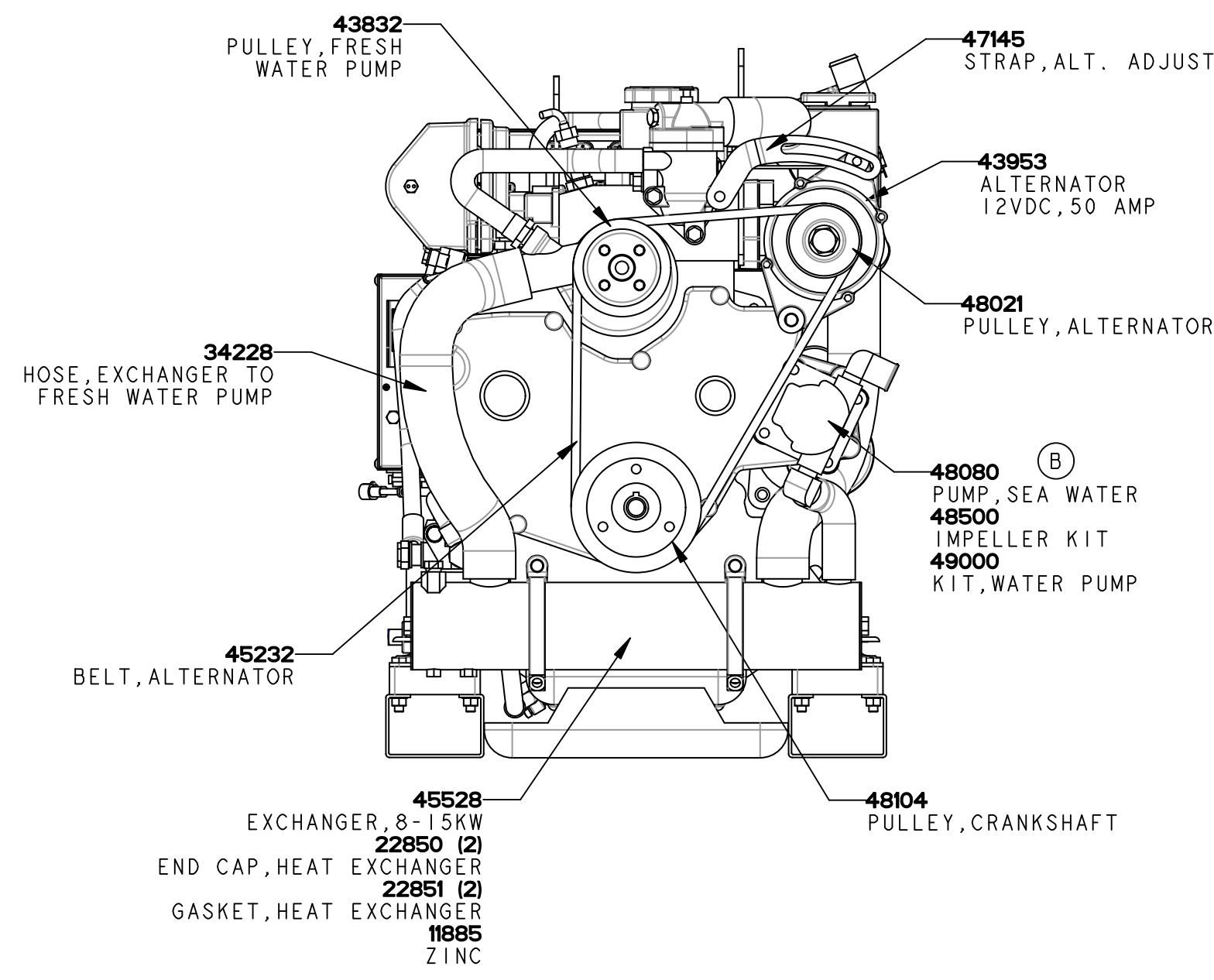
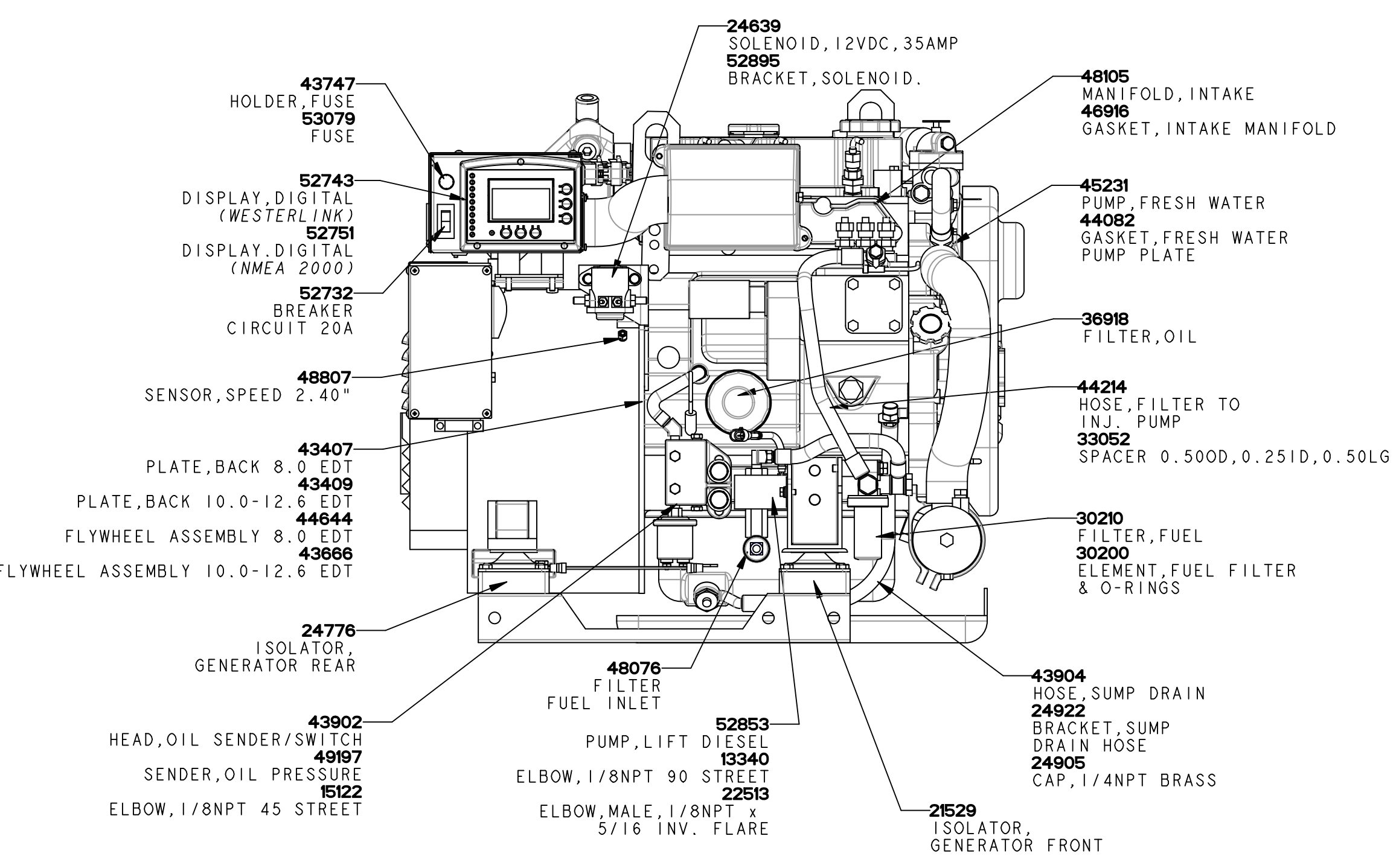
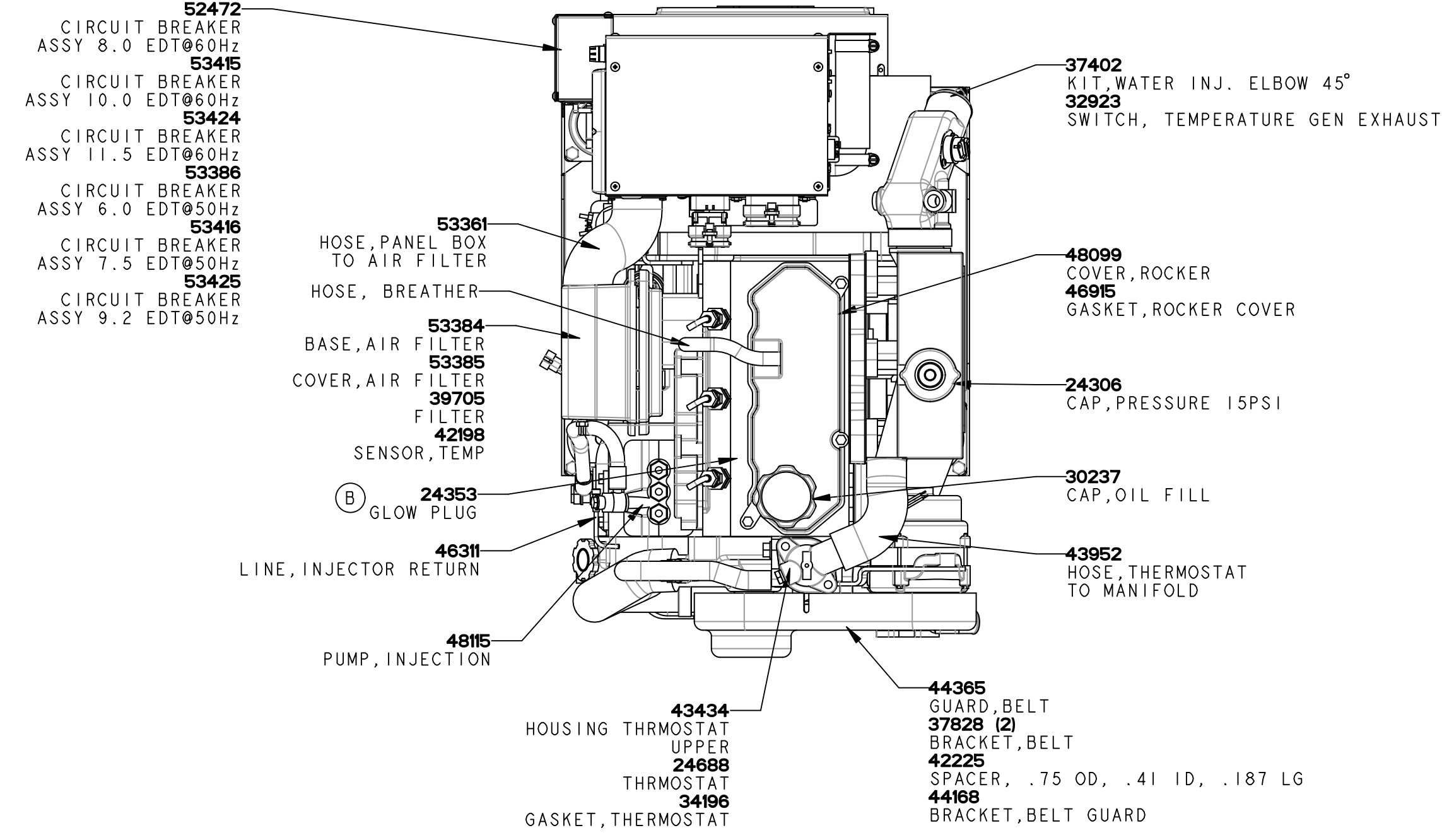
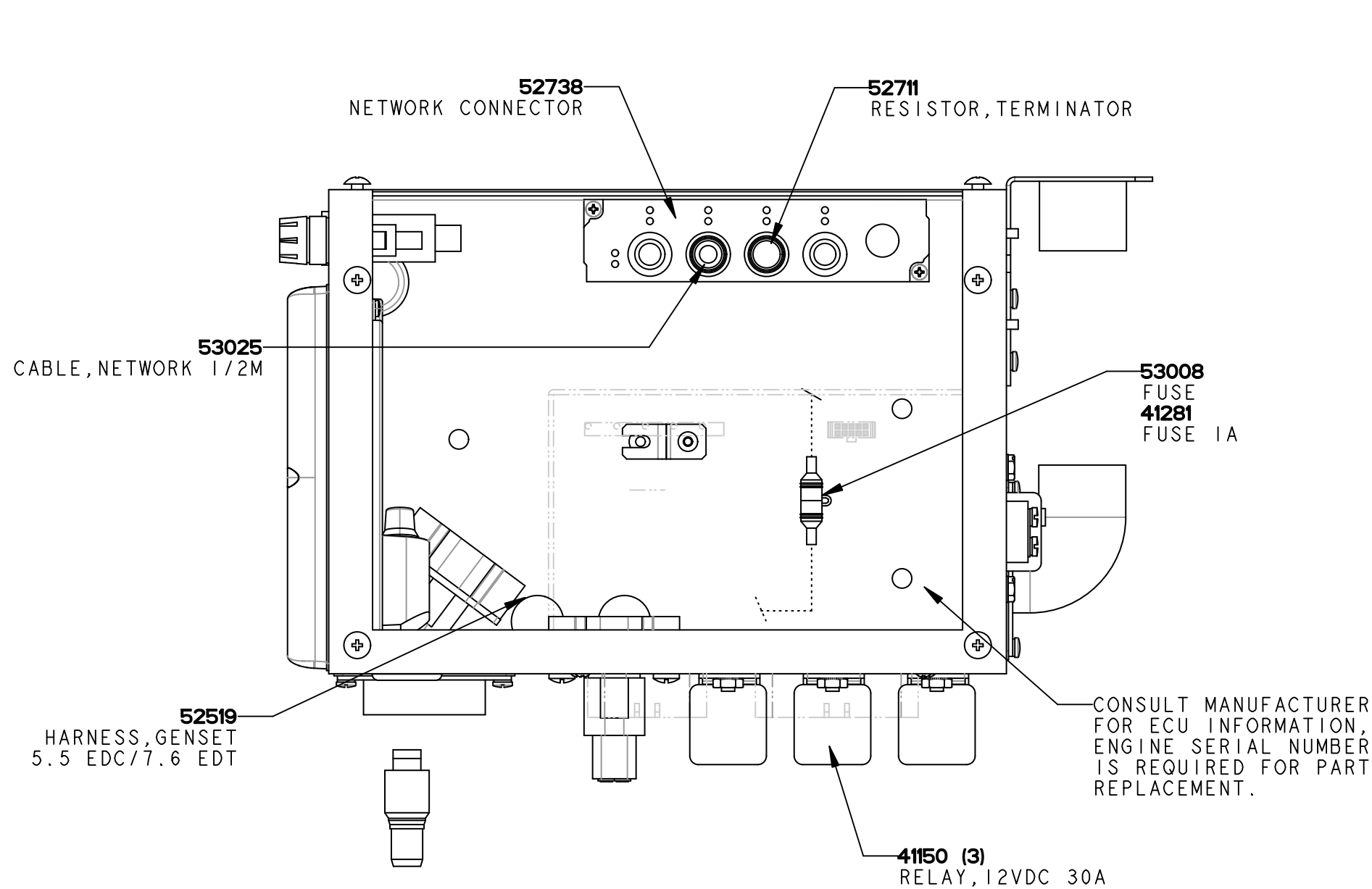


ECO NO.	DATE	REV.	REVISION RECORD	AUTH.	DR. BY
6518	5-30-2008	A	CHANGE 12.6 EDT TO 11.5 EDT. ENGINE BLOCK ASSY WAS 44084.		GA
6938	1-23-2013	B	ADD P/N FOR FRONT AND REAR ISOLATOR. CHANGE SEA PUMP FROM 33636 TO 48080. ADDED 48500 IMPELLER KIT AND 49000 WATER PUMP KIT; ADDED 24353 GLOW PLUG.		GA
7085	8-1-2014	C	ADD THERMOSTAT AND GASKET.		GA

P/N	DESCRIPTION
53060	MANUAL, OPERATOR 8-15 EDT
54600	MANUAL, SERVICE 8-15 EDT
52793	WIRING DIAGRAM
46420	KIT A
47157	KIT B



TOLERANCES (UNLESS OTHERWISE NOTED)		TITLE	
INCHES	MILLIMETERS	PARTLIST DRAWING	
.XX : .02	X. ± 1.0	8.0-11.5 EDT, 12.6 EDT	
.XXX : .005	.X ± .5		
CAST : .03	.XX ± .13		
ANGLES : 5°			
FINISH : S			
DIMENSIONS		APPROVED BY	DATE
INCHES		GA	16/Apr/07
MILLIMETERS		DATE	
(WHEN APPLICABLE)		SCALE 0.188	SIZE
		SHT. 1 OF 1	D
		DRAWING NUMBER	52897
		REV.	C

