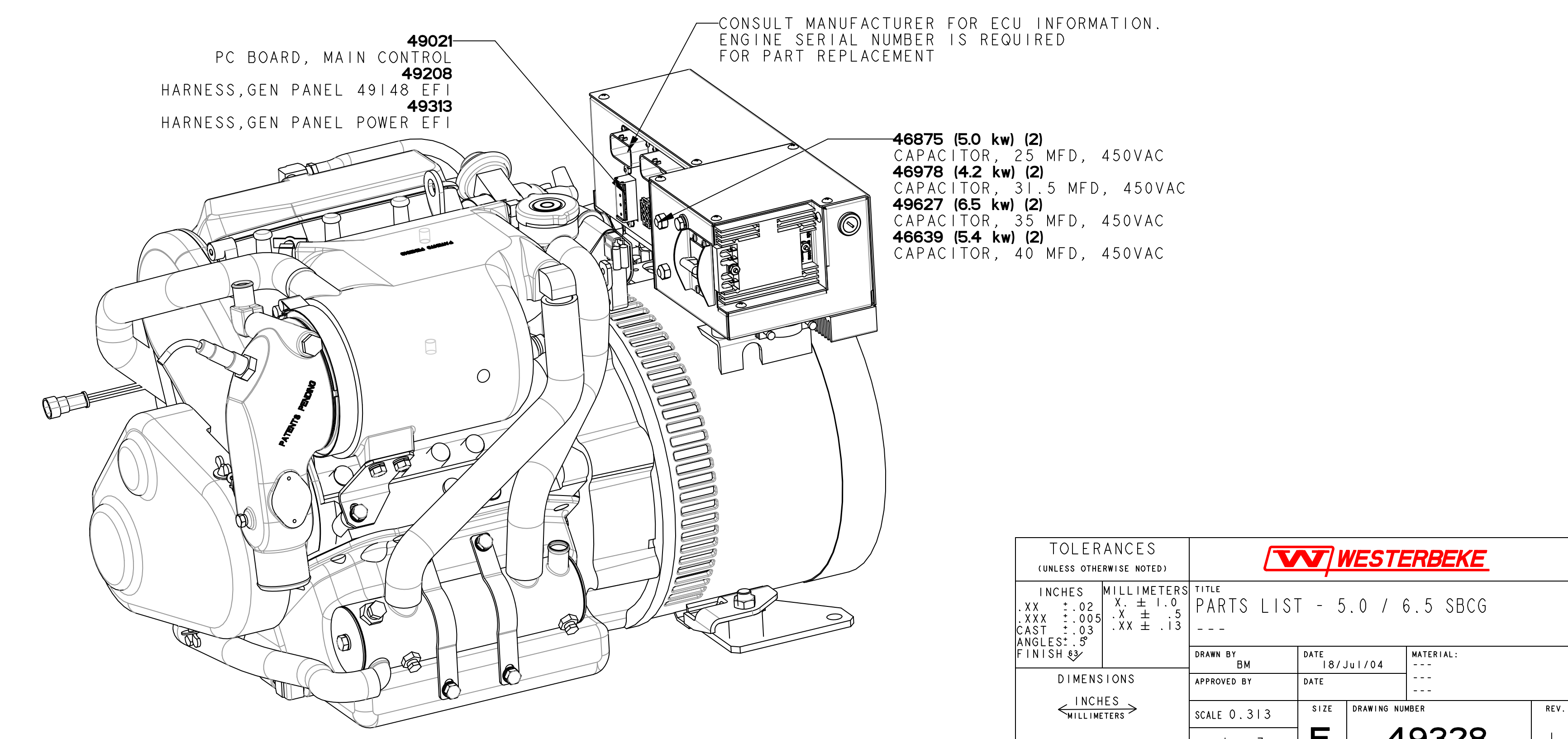
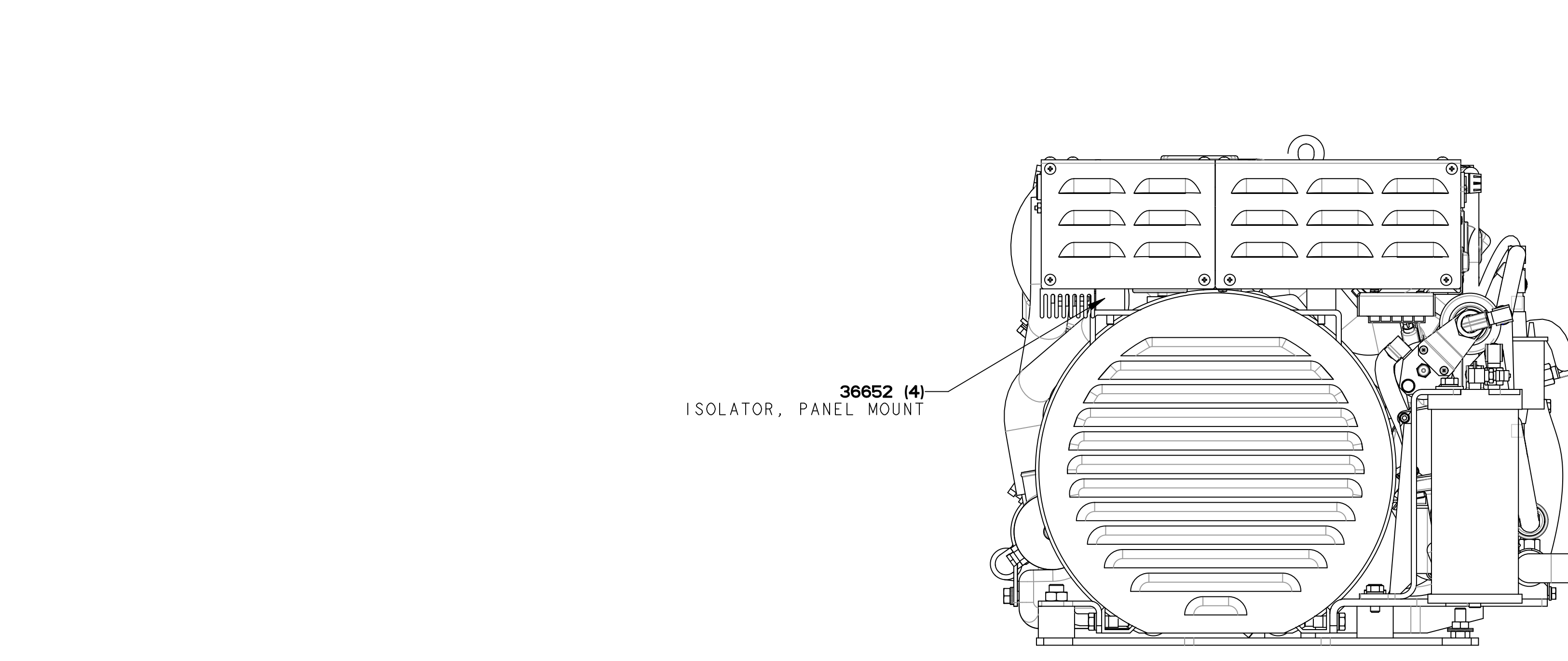
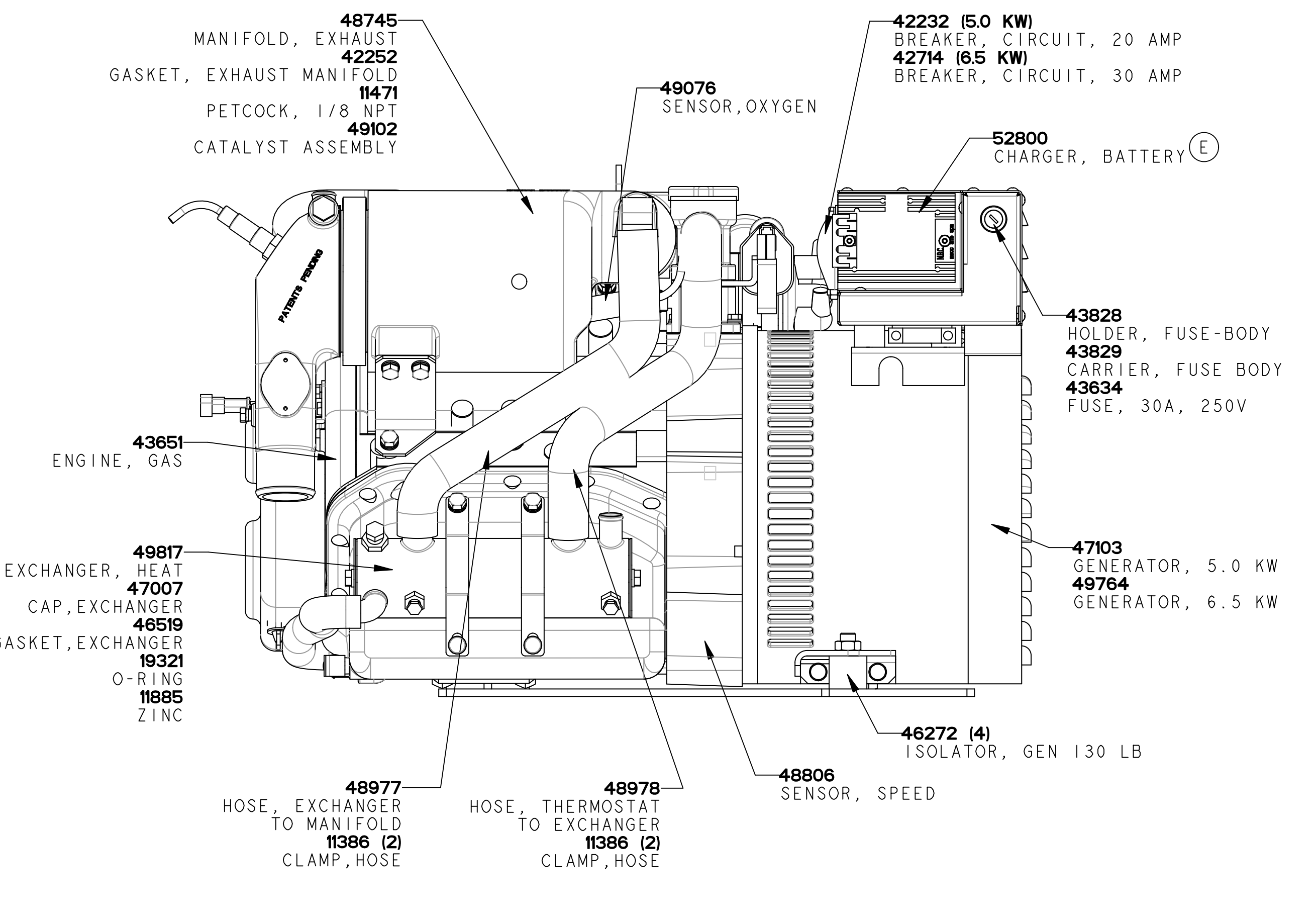
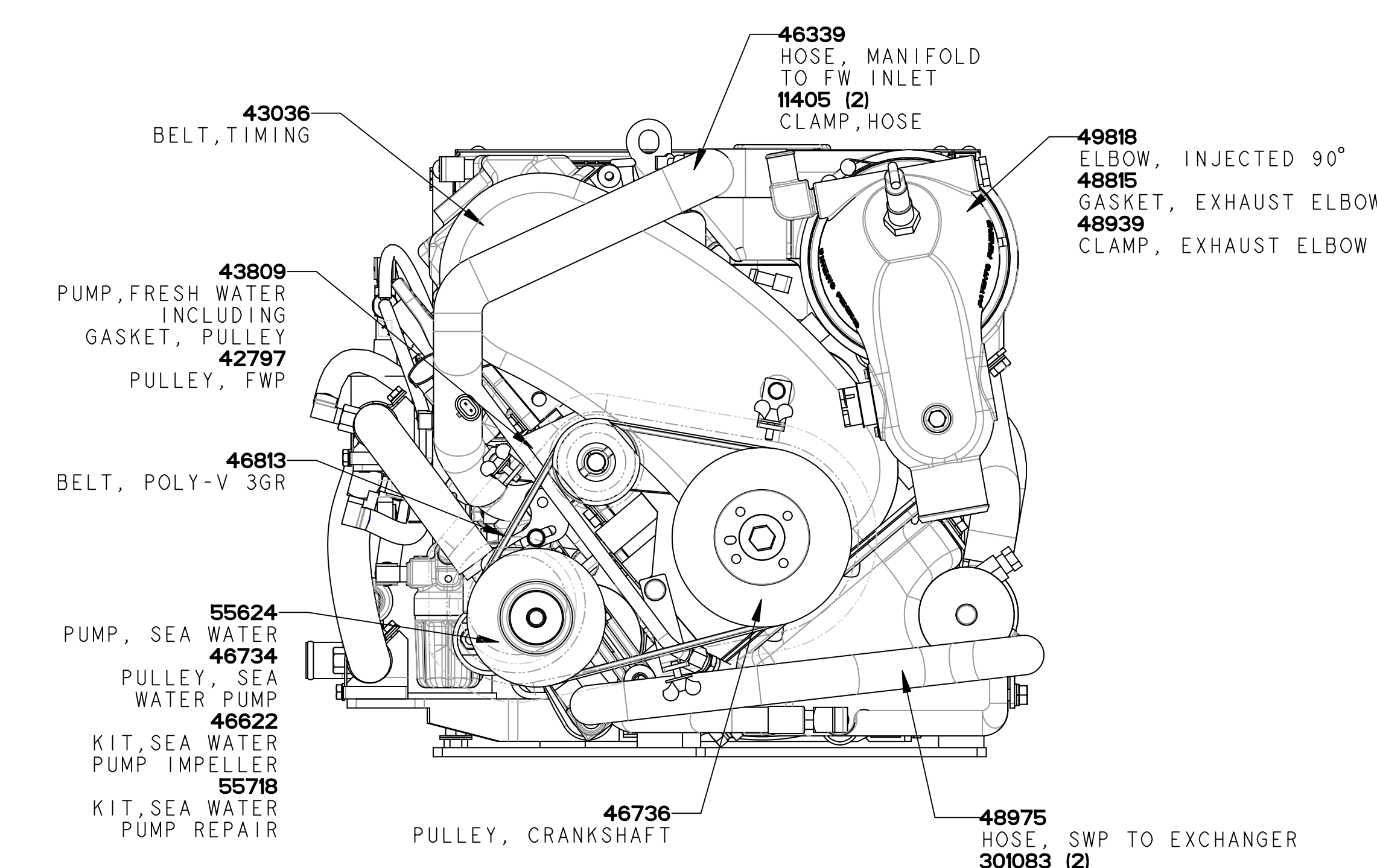
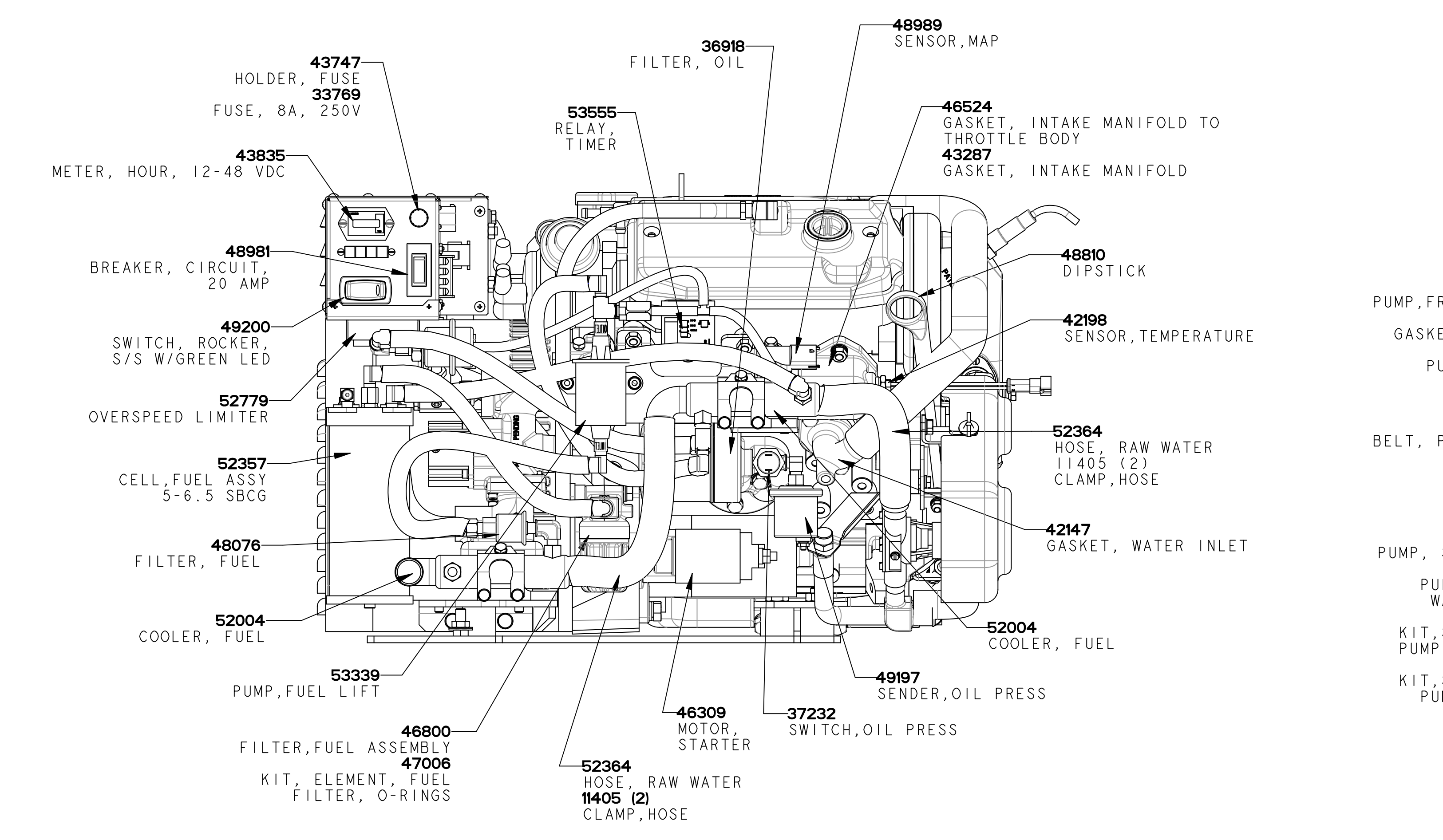
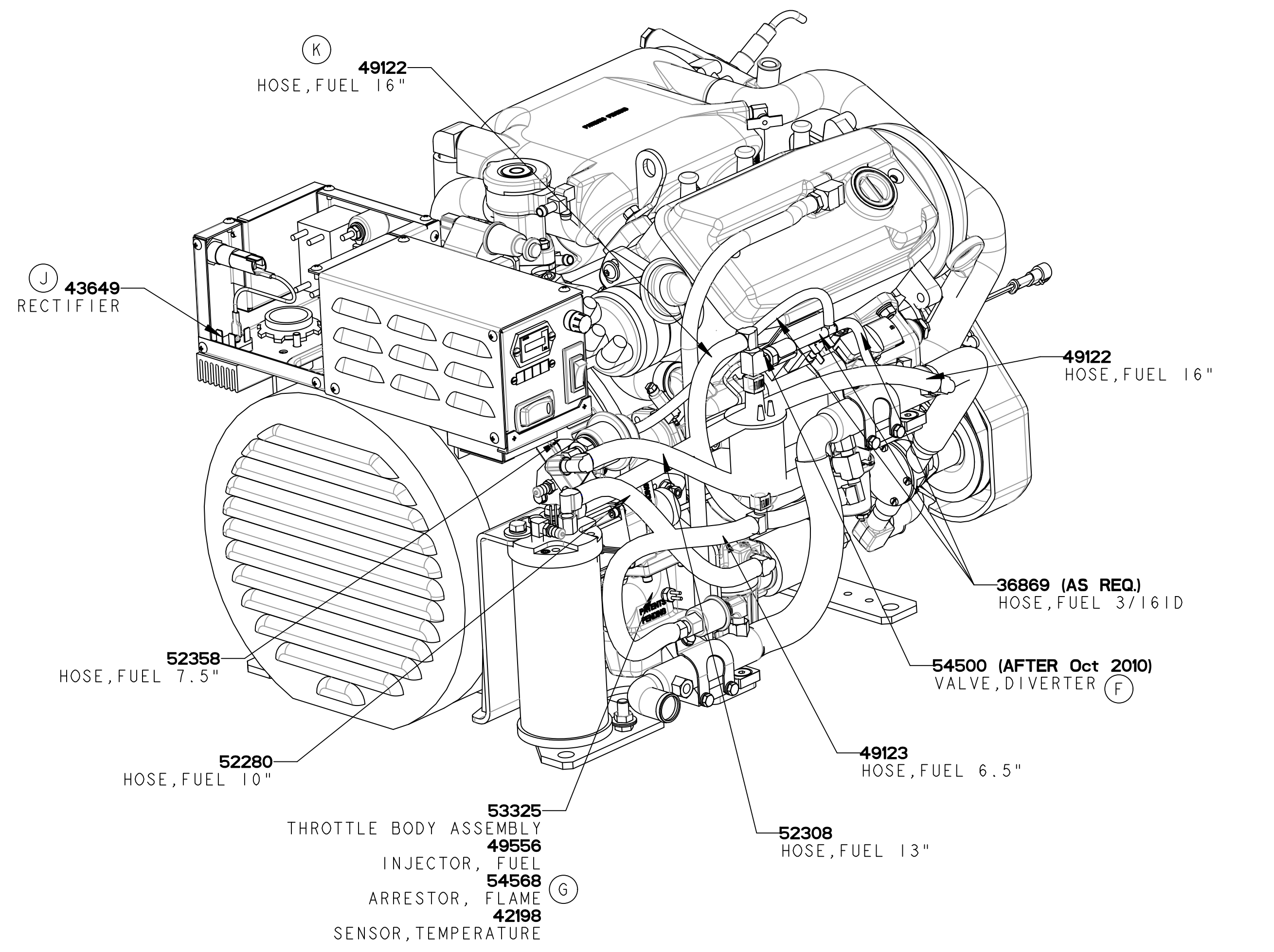
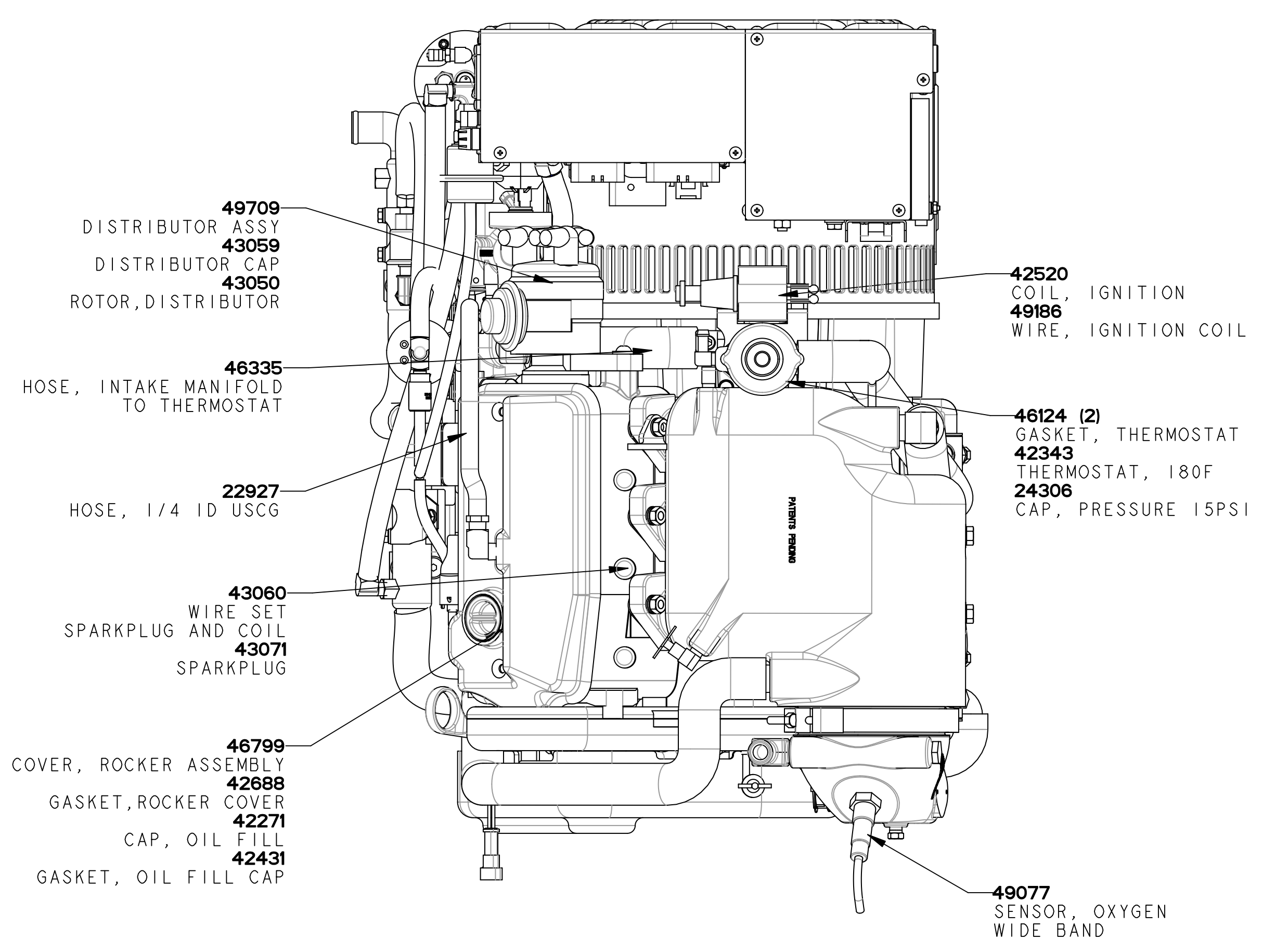


ECO NO.	DATE	REV.	REVISION RECORD	AUTH.	DR. BY	ECO NO.	DATE	REV.	REVISION RECORD	AUTH.	DR. BY
6654	11-10-2009	H	CHANGED OIL PICKUP GASKET FROM 42141 TO 54825.		GA	5906	1-13-05	A	BATTERY CHARGER WAS P/N 43096.		GA
6748	11-16-2010	J	ADD 46978, 46639 CAPACITOR FOR 50HZ UNIT.		GA	6105	10-17-95	B	UPDATED DRAWING WITH RETURNLESS FUEL SYSTEM		GA
6765	1-18-2011	K	CHANGE FUEL HOSE FROM 52308 TO 49122.		GA	6165	2-14-2006	C	FIXED DESCRIPTION OF 49077 TO BE WIDE BAND SENSOR.		RPS
7076	6-30-2014	L	FUEL PUMP WAS 52090. OVERSPEED LIMITER WAS 52854. SEA WATER PUMP WAS 42026.		GA	6249	8-10-2006	D	REMOVE PART LIST FOR FUEL CELL COMPONENTS.		GA
						6536	3-13-2008	E	BATTERY CHARGER WAS P/N 49845. REMOTE OIL FILTER WAS 40078. HARNESS WAS 49318. REMOVED 49319. ADDED 54171 DIVERTER VALVE AND 53555 TIMER RELAY.		GA
						6602	2-24-2009	F	DIVERTER VALVE WAS 54171.		GA
						6615	6-19-2009	G	CHANGED FLAME ARRESTOR FROM 43438 TO 54548.		GA

SERVICE PARTS

43438	AIR FILTER/FLAME ARRESTOR	49740	MANUAL, OPERATOR
52800	BATTERY CHARGER	49328	MANUAL, PARTS LIST
46425	BELT GUARD	49197	OIL PRESSURE SENDER
46813	BELT, SEA WATER PUMP	49145	PANEL, GENSET CTL (5.0-6.50 kw)
43036	BELT, TIMING	-	-
24306	CAP, PRESSURE	-	-
46875	CAPACITOR (5.0 kw)	-	-
46978	CAPACITOR (4.2 kw 50 Hz)	-	PANEL, REMOTE INSTRUMENT
49627	CAPACITOR (6.5 kw)	49148	PANEL, REMOTE START/STOP
46639	CAPACITOR (5.4 kw 50 Hz)	43809	PUMP, FRESH WATER
48981	CIRCUIT BREAKER, 20A, 12VDC	43005	PUMP, MOUNTING GASKET FW
46803	DIPSTICK	48976	PUMP, FUEL LIFT
49709	DISTRIBUTOR	42026	PUMP, SEA WATER
43059	DISTRIBUTOR CAP	46622	PUMP, IMPELLER KIT
43053	DISTRIBUTOR IGNITER	46623	PUMP, REPAIR KIT
43050	DISTRIBUTOR ROTOR	33043	PUMP, SEAL
32923	EXHAUST TEMPERATURE SWITCH	43649	RECTIFIER
47006	FILTER, FUEL	52529	REMOTE LUBE OIL FILTER
48076	FILTER, FUEL, 80 MICRON	48806	SENSOR, SPEED
36918	FILTER, LUBE OIL	49300	SPARE PARTS KIT A
33769	FUSE, 8 AMP	49301	SPARE PARTS KIT B
43634	FUSE, 30 AMP AC	43071	SPARKPLUG
48792	FUSE, 30 AMP DC	46309	STARTER MOTOR
49303	GASKET SET, COMPLETE	49200	SWITCH, START/STOP
49302	GASKET SET, UPPER	24977	TANK, COOLANT RECOVERY
43029	GASKET, HEAD	42343	THERMOSTAT
42020	GASKET, OIL PAN	46124	THERMOSTAT MOUNTING GASKET
49817	HEAT EXCHANGER	42688	VALVE COVER GASKET
47007	HEAT EXCHANGER END CAP	49818	WATER INJECTED EXHAUST ELBOW
46519	HEAT EXCHANGER GASKET	42198	WATER TEMPERATURE SENDER
49691	HOSE KIT	49186	WIRE SET, COIL
43835	HOURLY METER	43060	WIRE SET, SPARKPLUG
42520	IGNITION COIL/HOUSING ASM.	11885	ZINC
46272	ISOLATORS, FRONT AND REAR		
ITEMS NOT SHOWN			
53594	HARNESS, GENSET, 5-6.5 SBCG		



TOLERANCES (UNLESS OTHERWISE NOTED)		WESTERBEKE	
INCHES	MILLIMETERS	TITLE	PARTS LIST - 5.0 / 6.5 SBCG
.XX ± .01	.X ± .10	DATE	---
.XXX ± .005	.Y ± .15	DRAWN BY	---
CST ± .03	.XX ± .13	APPROVED BY	---
FINISH	---	DATE	---
ANGLE: 2	---	SCALE	0.313
DIMENSIONS	---	SIZE	DRAWING NUMBER
INCHES	---	SHT.	1 OF 7
MILLIMETERS	---	REV.	---
(WHEN APPLICABLE)	---	E	49328
		L	